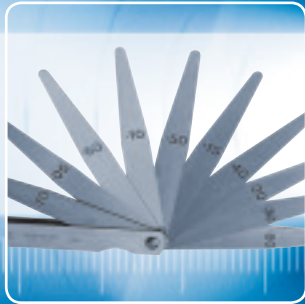
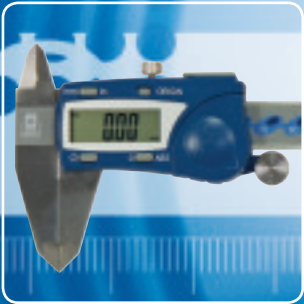
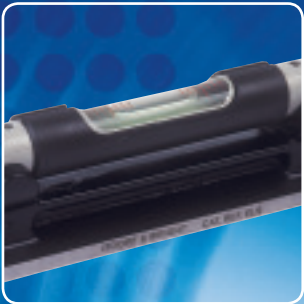




PRODUCT CATALOGUE 16/17



Partners in Precision

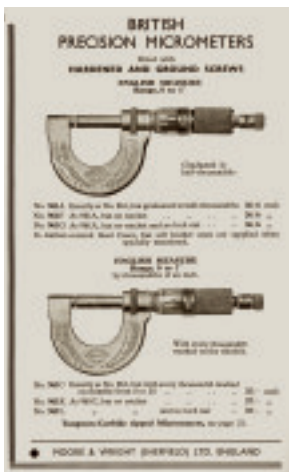
## A Brief History...

Founded in 1906 by innovative young engineer, Frank Moore, Moore & Wright has been designing, manufacturing and supplying precision measuring equipment to global industry for over 100 years. With roots fixed firmly in Sheffield, England, the company began by manufacturing a range of calipers, screwdrivers, punches and other engineer's tools. Following investment from Mrs Wright, a shrewd Sheffield businesswoman, Frank was able to expand the business and further develop his innovative designs.



By the mid-nineteen twenties, thanks to the company's enviable reputation, Moore & Wright was approached by the UK Government to consider manufacturing a range of quality micrometers. It was in this field that Moore & Wright's status as UK agent for the Swiss Avia range of products and subsequent acquisition of the Avia brand and manufacturing rights, proved invaluable. A set of working drawings was obtained from Switzerland and reworked based on popular American designs, whilst incorporating Moore & Wright's own innovations. The ensuing range of high quality instruments resulted in world renown for Moore & Wright micrometers. These early, classic designs are regarded as the origin of today's comprehensive range of micrometers, now used in every industrialised country throughout the world.

During World War Two, the overwhelming demand for Moore & Wright micrometers resulted in the opening of two further factories in England with production levels reaching an incredible 20,000 micrometers per month.



By the end of World War Two, control of the company had passed to Frank Moore's daughter who subsequently sold the business to John Shaw Company in 1945. John Shaw recognised the skill and business acumen of the Moore & Wright staff granting them a level of autonomy. This allowed them to continue to develop innovative new products that could be marketed in both the UK and overseas. Soon the company was producing a diverse range of precision tools, including small hole gauges, telescopic gauges and a wide range of vernier calipers.

By the early 1950s Moore & Wright's vastly expanded product portfolio and increased levels of production, meant that it had outgrown its current production sites. The answer to the company's manufacturing bottlenecks was to be found in a new state-of-the-art production facility in Sheffield.

In 1970, Moore & Wright was acquired by Neill Tools Group, when the John Shaw Company was purchased by Neill Tools. The years that followed saw an increased threat to company sales from products exported to the UK from overseas manufacturers. Helped by the purchase of well-known micrometer manufacturer, Shardlow and the quality caliper producer Bensons, Neill Tools jealously defended Moore & Wright's business. The company also embarked on a progressive micrometer design and development programme. After adopting the suggested manufacturing and product design improvements, Moore & Wright launched Micro 2000, the world's first hand-held electronic micrometer. The company was proud to be awarded the coveted Queens Award For Technological Achievement in 1977 for this groundbreaking new product.



**BOWERS GROUP**

Now part of Bowers Group and with production facilities in the UK and China, Moore & Wright continues its commitment to supplying worldwide industry with high quality, affordable products. Its ongoing pledge to research and development should ensure that this great British company remains at the forefront of global innovation.



## PAGE NO.

Calipers 2-20

---

Height Gauges 21-23

---

Micrometers 24-42

---

Bore Gauging 43-45

---

Indicators 46-50

---

Thickness Gauges 51

---

Indicator Stands 52-55

---

Engineers' Sets 56-57

---

Hand Tools 58-73

---

Levelling 74-76

---

Workshop Tools 77-83

---

Index 84-89

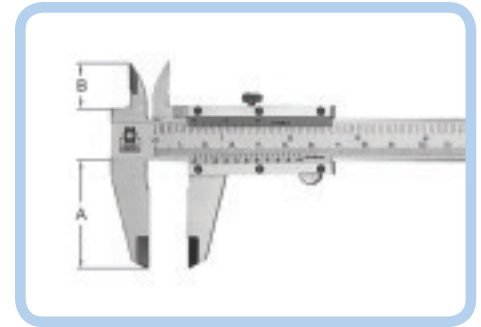
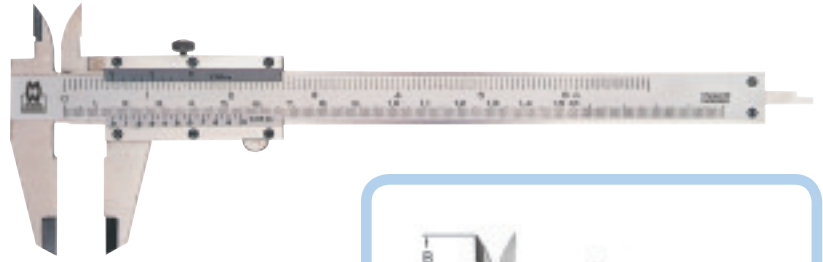
---

## Workshop Vernier Caliper 100 Series

### Features

Standard DIN 862

- Standard workshop model with locking screw
- 4-way measurement
- Made of hardened alloyed stainless steel
- Chromed scale with engraved graduations
- Measuring surface is micro-lapped
- Packed in plastic box



### WORKSHOP VERNIER CALIPER

Code No	Range (mm)	Range (inch)	Resolution (mm)	Resolution (inch)	Dimn – A	Dimn – B
MW100-15B	0-150	0-6	0.05	1/128	40	16
MW100-20B	0-200	0-8	0.05	1/128	50	20
MW100-30B	0-300	0-12	0.05	1/128	55	20
MW100-15BI	0-150	0-6	0.02	0.001	40	16
MW100-20BI	0-200	0-8	0.02	0.001	50	20
MW100-30BI	0-300	0-12	0.02	0.001	55	20

## Workshop Vernier Caliper 105 Series

### Features

Standard DIN 862

- Standard workshop model with stop screw
- With fine adjustment
- 4-way measurement
- Made of hardened alloyed stainless steel
- Chromed scale with engraved graduations
- Measuring surface is micro-lapped
- Packed in plastic box



### WORKSHOP VERNIER CALIPER

Code No	Range (mm)	Range (inch)	Resolution (mm)	Resolution (inch)	Jaws
MW105-20	0-200	0-8	0.05	1/128	50mm
MW105-30	0-300	0-12	0.05	1/128	55mm
MW105-20I	0-200	0-8	0.02	0.001	50mm
MW105-30I	0-300	0-12	0.02	0.001	55mm



## Precision Miniature Vernier Caliper 110 Series

### Features

Standard DIN 862

- Extra small precision vernier caliper
- Mono-block solid slider model
- 4-way measurement
- Made of hardened stainless steel
- Chromed scale with laser engraved graduations
- Measuring surface is micro-lapped
- Supplied with leather-look wallet



#### PRECISION MINIATURE VERNIER CALIPER

Code No	Range (mm)	Resolution (mm)	Jaws
MW110-07	0-70	0.05	20mm

## Precision Vernier Caliper 110 Series

### Features

Standard DIN 862

- High precision vernier caliper
- 4-way measurement
- Mono-block solid slider model
- Made of hardened stainless steel
- Chromed scale with laser engraved graduations
- The scale shows both mm and inch value
- Measuring surface is micro-lapped
- Supplied with leather-look wallet



#### PRECISION VERNIER CALIPER

Code No	Range (mm)	Range (inch)	Resolution (mm)	Resolution (inch)	Jaws
MW110-15	0-150	0-6	0.05	1/128	40mm
MW110-15I	0-150	0-6	0.02	0.001	40mm
MW110-20	0-200	0-8	0.05	1/128	40mm
MW110-30	0-300	0-12	0.05	1/128	55mm

## Precision Vernier Caliper 115 Series

### Features

Standard: DIN 862

- High precision vernier caliper
- Solid slider model
- 4-way measurement
- Made of hardened stainless steel
- Chromed scale with laser engraved graduations
- The scale shows both mm and inch value
- Measuring surface is micro-lapped
- Supplied with leather-look wallet



### PRECISION VERNIER CALIPER

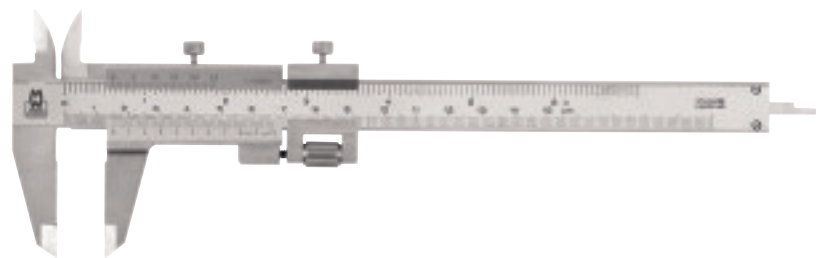
Code No	Range (mm)	Range (inch)	Resolution (mm)	Resolution (inch)	Jaws
MW115-15	0-150	0-6	0.05	1/128	40mm
MW115-15I	0-150	0-6	0.02	0.001	40mm

## Fine Adjustment Vernier Caliper 111 Series

### Features

Standard: DIN 862

- High precision vernier caliper
- With fine adjustment
- 4-way measurement
- Made of hardened stainless steel
- Measuring surface is micro-lapped
- Supplied in plastic box



### FINE ADJUSTMENT VERNIER CALIPER

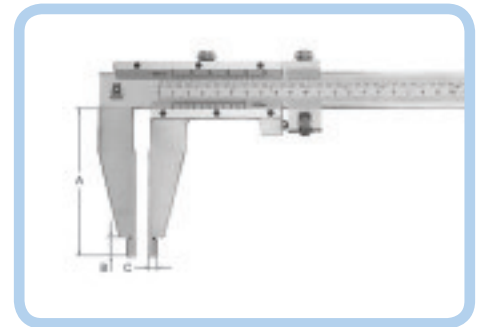
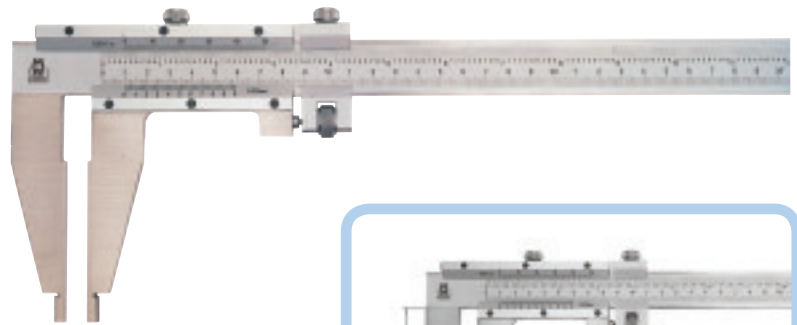
Code No	Range (mm)	Range (inch)	Resolution (mm)	Resolution (inch)	Jaws
MW111-15I	0-150	0-6	0.05	1/128	40mm

## Large Workshop Vernier Caliper 150 Series

### Features

Standard: Factory Standard

- Standard workshop model with locking screw
- Mono block solid slider
- Made of hardened alloyed stainless steel
- Jaws for internal and external measurement
- Chromed scale with laser engraved graduations
- Measuring surface is micro-lapped
- With fine adjustment
- Packed in wooden box



### LARGE WORKSHOP VERNIER CALIPER

Code No	Range (mm)	Range (inch)	Resolution (mm)	Resolution (inch)	Dimn – A	Dimn – B	Dimn – C
MW150-52	0-500	0-20	0.02	0.001	100	12	5
MW150-55	0-500	0-20	0.05	1/128	100	12	5
MW150-62	0-600	0-24	0.02	0.001	100	12	5
MW150-65	0-600	0-24	0.05	1/128	100	12	5
MW150-72	0-1000	0-40	0.02	0.001	125	18	10
MW150-75	0-1000	0-40	0.05	1/128	125	18	10
MW150-82	0-1500	0-60	0.02	0.001	150	18	10
MW150-85	0-1500	0-60	0.05	1/128	150	18	10

## Solid Slider Large Workshop Vernier Caliper 152 Series

### Features

- Standard workshop model with stop screw
- Mono block solid slider
- Made of hardened alloyed stainless steel
- Jaws for internal and external measurement
- Chromed scale with laser engraved graduations
- Measuring surface is micro-lapped
- With fine adjustment
- Packed in wooden box



### SOLID SLIDER LARGE WORKSHOP VERNIER CALIPER

Code No	Range (mm)	Resolution (mm)	Jaws
MW152-55	0-500	0.05	100mm
MW152-65	0-600	0.05	100mm
MW152-75	0-1000	0.05	125mm
MW152-85	0-1500	0.05	150mm

## Long Jaw Vernier Caliper 155 Series

### Features

Standard: Factory Standard

- With longer jaws which permit the measurement of large workpieces
- Jaws for internal and external measurement
- Stop screw for locking the slider
- Made of hardened stainless steel
- Chromed scale with engraved graduations
- Measuring surface is micro-lapped
- With fine adjustment



### LONG JAW VERNIER CALIPER

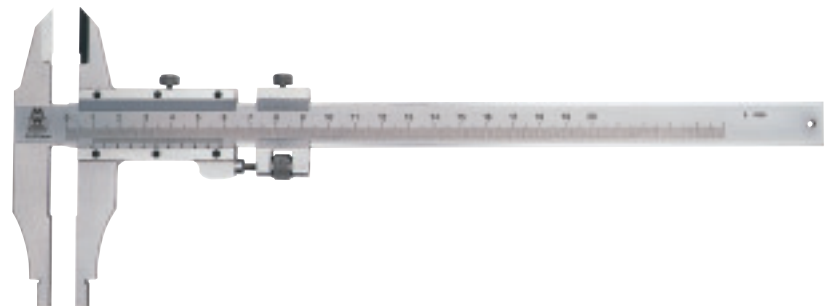
Code No	Range (mm)	Range (inch)	Resolution (mm)	Resolution (inch)	Jaws
MW155-32	0-300	0-12	0.02	0.001	150mm
MW155-35	0-300		0.05		150mm
MW155-52	0-500	0-20	0.02	0.001	200mm
MW155-55	0-500		0.05		200mm
MW155-62	0-600	0-24	0.02	0.001	300mm
MW155-65	0-600		0.05		300mm
MW155-72	0-1000	0-40	0.02	0.001	300mm

## Workshop Vernier Caliper 160 Series

### Features

Standard: Factory Standard

- Combination-jaw model
- Separate jaws for internal and external measurement
- Separate knife edge jaws for external measurement
- Stop screw for locking the slider/jaws
- Made of hardened stainless steel
- Chromed scale with engraved graduations
- Measuring surface is micro-lapped
- With fine adjustment



### WORKSHOP VERNIER CALIPER

Code No	Range (mm)	Resolution (mm)	Jaws
MW160-20	0-200	0.05	60mm
MW160-22	0-200	0.02	60mm
MW160-30	0-300	0.05	90mm
MW160-32	0-300	0.02	90mm

## Plastic Dial Caliper

### Features

Standard: Factory Standard

- Manufactured from glass reinforced nylon material
- Highly durable design
- $\pm 0.1\text{mm} / \pm 0.004''$  accuracy
- Plastic depth rod



CDP150M

### METRIC: Dial Caliper

Code No	Range (mm)	Resolution (mm)	Jaws
CDP150M	0-150	0.1	40mm

### IMPERIAL: Dial Caliper

Code No	Range (inch)	Resolution (inch)	Jaws
CDP006E	0-6	0.01	1.57"

## Dial Caliper 140 Series

### Features

Standard: Factory Standard

- Thumb wheel for fine adjustment
- Rack cover prevents dust or grit fouling teeth of rack
- High precision model with mono block solid slider
- 4-way measurement
- Made of alloyed hardened stainless steel
- Chromed scale with engraved graduations
- Measuring surface is micro-lapped
- Black indicator plate with clear red pointer



### DIAL CALIPER

Code No	Range (mm)	Resolution (mm)	Jaws
MW140-15	0-150	0.02	40mm
MW140-20	0-200	0.02	55mm
MW140-30	0-300	0.02	55mm



## Dial Caliper 141 Series

### Features

Standard: DIN 862

- Thumb wheel for fine adjustment
- Covered rack
- 4-way measurement
- Hardened stainless steel rack
- Measuring surface is micro-lapped



### DIAL CALIPER

Code No	Range (mm)	Resolution (mm)	Code No	Range (inch)	Resolution (inch)
MW141-15	0-150	0.02	MW141-15I	0-6	0.001

## Dial Caliper 142 Series

### Features

Standard: DIN 862

- Shockproof dial caliper
- Thumb wheel for fine adjustment
- Covered rack
- 4-way measurement
- Hardened stainless steel rack
- Measuring surface is micro-lapped



### DIAL CALIPER

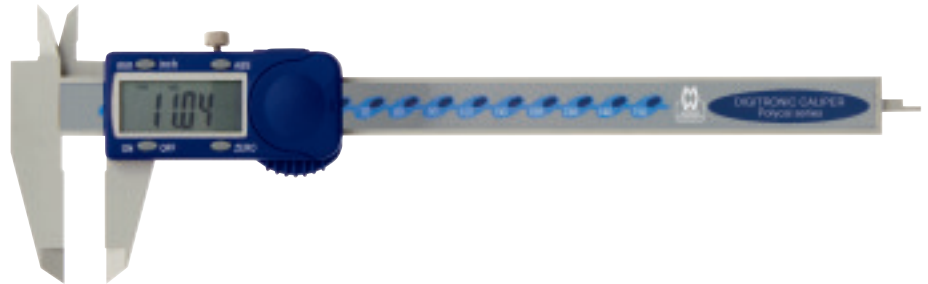
Code No	Range (mm)	Resolution (mm)
MW142-15	0-150	0.02
MW142-20	0-200	0.02
MW142-30	0-300	0.02

## Polycarbonate Digital Caliper

### Features

Standard: Factory Standard

- Polycarbonate frame
- 4-way measurement
- Accuracy +/- 0.2mm / 0.008"
- Functions: mm/inch, zero setting, Absolute/Incremental measurement
- Supplied retail packed with vinyl pouch
- CR2032 battery



### POLYCARBONATE DIGITAL CALIPER

Code No	Range (mm)	Range (inch)	Resolution (mm)	Resolution (inch)	Jaws
MW110-15DPC	0-150	0-6	0.01	0.0005	40mm

## Digital Pocket Caliper 110 Series

### Features

Standard: Factory Standard

- Ultra small digital caliper
- On/off switch
- Zero point at any position
- Displays values in mm and inch
- All metal parts made of hardened steel
- 4-way measurement



### DIGITAL POCKET CALIPER

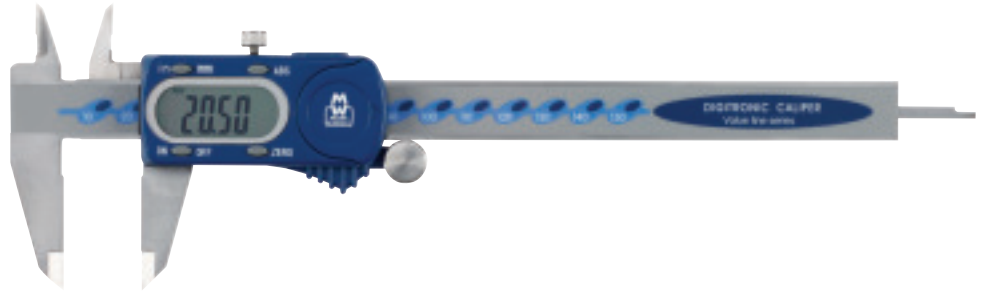
Code No	Range (mm)	Range (inch)	Resolution (mm)	Resolution (inch)	Jaws
MW110-10DPT	0-100	0-4	0.01	0.0005	30mm

## Workshop Digital Caliper 110-DBL Series

### Features

Standard: DIN 862

- On/off switch
- Zero point at any position
- Displays values in mm and inch
- All metal parts made of hardened stainless steel
- CR2032 battery
- ABS / INC measurement
- Thumb wheel for fine adjustment
- Auto off function
- 4-way measurement



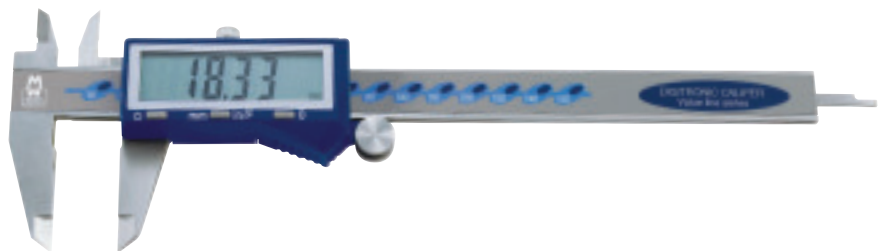
### WORKSHOP DIGITAL CALIPER

Code No	Range (mm)	Range (inch)	Resolution (mm)	Resolution (inch)	Jaws
MW110-15DBL	0-150	0-6	0.01	0.0005	40mm
MW110-20DBL	0-200	0-8	0.01	0.0005	50mm
MW110-30DBL	0-300	0-12	0.01	0.0005	60mm

## Three Reading Digital Caliper DFC Series

### Features

- Extra large, easy-to-read display
- High measuring speed: 120" per second
- Read and convert in inch, metric and fractions
- Stainless steel frame with extra smooth movements
- CR2032 battery
- Thumb wheel for fine adjustment
- 4-way measurement



METRIC



INCH



FRACTION

### THREE READING DIGITAL CALIPER

Code No	Range (mm)	Range (inch)	Resolution (mm)	Resolution (inch)	Jaws
MW110-15DFC	0-150	0-6	0.01	0.0005 / 1/128	40mm
MW110-20DFC	0-200	0-8	0.01	0.0005 / 1/128	50mm
MW110-30DFC	0-300	0-12	0.01	0.0005 / 1/128	60mm

## Digital Caliper 110-DDL Series

### Features

Standard: DIN 862

- Ground micro-lapped measuring surfaces
- Thumb wheel for fine adjustment
- Functions: mm/inch conversion, on/off, zero-setting, battery low indication
- Battery SR44
- 4-way measurement



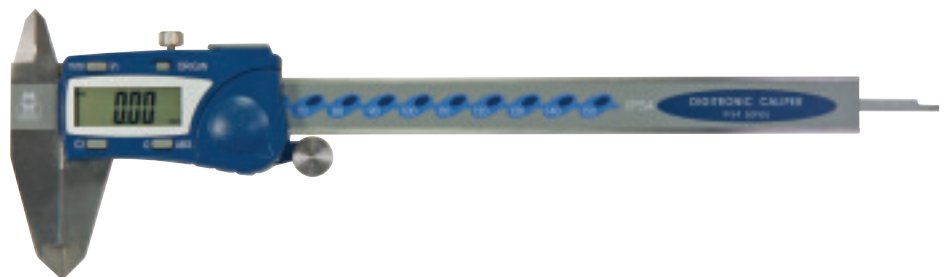
### DIGITAL CALIPER

Code No	Range (mm)	Range (inch)	Resolution (mm)	Resolution (inch)	Jaws
MW110-15DDL	0-150	0-6	0.01	0.0005	40mm
MW110-20DDL	0-200	0-8	0.01	0.0005	50mm
MW110-30DDL	0-300	0-12	0.01	0.0005	60mm

## Digital Absolute Caliper 110-DABS Series

### Features

- Absolute Measuring System
- RS232 Digimatic Output
- CR2032 Battery
- 4-way measurement
- Functions: mm/Inch conversion, on/off, data-output
- Digimatic RS232 Output
- Thumb wheel for fine adjustment



### DIGITAL ABSOLUTE CALIPER

Code No	Range (mm)	Range (inch)	Resolution (mm)	Resolution (inch)	Accuracy (mm)	Accuracy (inch)
MW110-15DABS	150	6	0.01	0.0005	+/- .020	+/- .001
MW110-20DABS	200	8	0.01	0.0005	+/- .030	+/- .0015
MW110-30DABS	300	12	0.01	0.0005	+/- .030	+/- .0015

### DATA CABLE

Code No	Description
MW-Y100/700USB	Data Cable-USB to suit all DABS products

## Water Resistant Caliper IP54 Series

### Features

Standard: DIN 862

- Water and dust resistant to IP54 specification
- Functions: mm/inch conversion, on/off, zero setting
- Patented ceramic capacitive sensor
- Thumb wheel for fine adjustment
- CR2032 battery
- ABS / INC measurement
- 4-way measurement



### WATER RESISTANT CALIPER

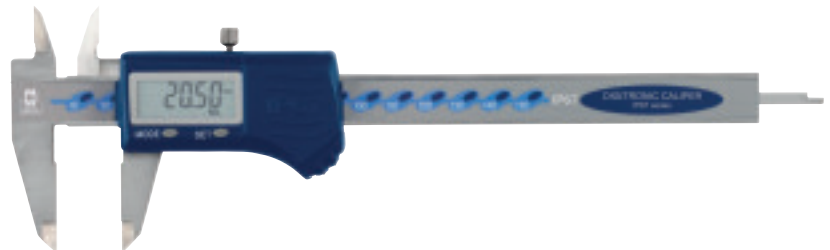
Code No	Range (mm)	Range (inch)	Resolution (mm)	Resolution (inch)	Jaws
MW110-15WR	0-150	0-6	0.01	0.0005	40mm
MW110-20WR	0-200	0-8	0.01	0.0005	50mm
MW110-30WR	0-300	0-12	0.01	0.0005	60mm

## Waterproof Digital Caliper IP67 Series

### Features

Standard: DIN 862

- Water, coolant and dust proof to IP67 specification
- Functions: mm/inch conversion, on/off, zero setting
- CR2032 battery
- 4-way measurement



### WATERPROOF DIGITAL CALIPER

Code No	Range (mm)	Range (inch)	Resolution (mm)	Resolution (inch)	Jaws
MW110-15DIP	0-150	0-6	0.01	0.0005	40mm

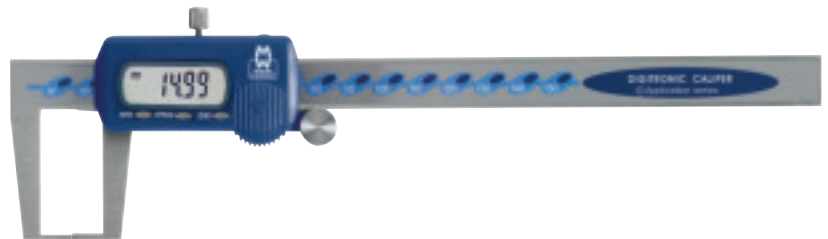


## Digital Caliper For External Grooves 120 Series

### Features

Standard: Factory Standard

- Jaws for measuring external grooves, undercuts etc
- Functions: mm/inch conversion, on/off, data-output, zero-setting, battery low indication
- Thumb wheel for fine adjustment



### DIGITAL CALIPER FOR EXTERNAL GROOVES

Code No	Range (mm)	Range (inch)	Resolution (mm)	Resolution (inch)
MW120-15DC	0-150	0-6	0.01	0.0005

## Digital Caliper for Internal Grooves 125 Series

### Features

Standard: Factory Standard

- Features universal jaws for measuring internal grooves
- Functions: mm/inch conversion, on/off, data-output, zero-setting, battery low indication
- Thumb wheel for fine adjustment



### DIGITAL CALIPER FOR INTERNAL GROOVES

Code No	Range (mm)	Range (inch)	Resolution (mm)	Resolution (inch)
MW125-15DC	0-150	0-6	0.01	0.0005

## Digital Caliper for External Grooves 120 Series

### Features

Standard: Factory Standard

- Features standard jaws for measuring of external grooves
- Thumb wheel for fine adjustment
- Functions: mm/inch conversion, on/off, data-output, zero-setting, battery low indication



### DIGITAL CALIPER FOR EXTERNAL GROOVES

Code No	Range (mm)	Range (inch)	Resolution (mm)	Resolution (inch)
MW120-15DB	0-150	0-6	0.01	0.0005

## Digital Long Jaw Caliper 110-DLJ Series

### Features

Standard: Factory Standard

- Heavy duty design
- Long jaws with internal measuring nibs
- Ground micro-lapped measuring surfaces
- With fine adjustment
- Functions: mm / inch conversion, on/off, zero-setting, ABS / zero, battery low indication



### DIGITAL LONG JAW CALIPER

Code No	Range (mm)	Range (inch)	Resolution (mm)	Resolution (inch)	Jaws	Internal Nibs
MW110-15DLJ	0-150	0-6	0.01	0.0005	60mm	10 x 5mm

## Large Digital Workshop Caliper 150 Series

### Features

Standard: Factory Standard

- Ground micro-lapped measuring surfaces
- Functions: mm / inch conversion, on/off, data-output, zero-setting, ABS / zero, battery low indication
- With fine adjustment
- Long jaws with internal measuring nibs



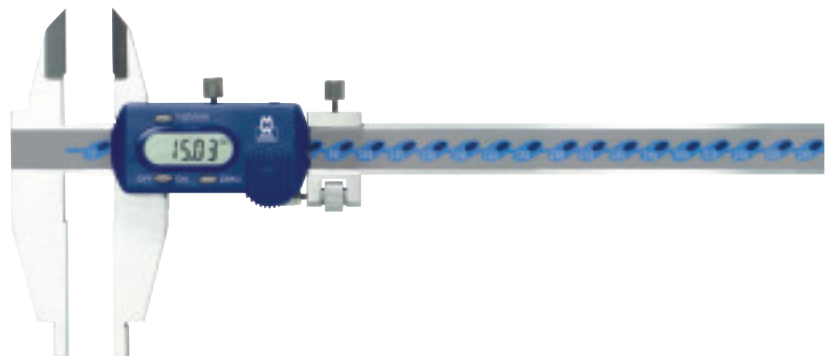
### LARGE DIGITAL WORKSHOP CALIPER

Code No	Range (mm)	Range (inch)	Resolution (mm)	Resolution (inch)	Jaws	Internal Nibs
MW150-50DDL	0-500	0-20	0.01	0.0005	100mm	18 x 10mm
MW150-60DDL	0-600	0-24	0.01	0.0005	100mm	24 x 10mm
MW150-75DDL	0-1000	0-40	0.01	0.0005	125mm	24 x 10mm

## Heavy Duty Digital Workshop Caliper 160-D Series

### Features

- Heavy duty design
- Internal measuring nibs on external jaws and knife edge external jaws
- Ground micro-lapped measuring surfaces
- Functions: mm / inch conversion, on/off, zero-setting, ABS / zero, battery low indication
- With fine adjustment



### HEAVY DUTY DIGITAL WORKSHOP CALIPER

Code No	Range (mm)	Range (inch)	Resolution (mm)	Resolution (inch)	Jaws	External Knife Edge	Internal Nibs
MW160-20D	0-200	0-8	0.01	0.0005	60mm	12mm	33.5 x 5mm
MW160-30D	0-300	0-12	0.01	0.0005	60mm	12mm	38 x 5mm
MW160-50D	0-500	0-20	0.01	0.0005	150mm	18mm	50 x 10mm

## Digital Tyre Profile Gauge 176 Series

### Features

- Spring loaded with a hold measurement button for ease of use
- Supplied on retail packaging
- Vinyl holder supplied as standard
- Spindle  $\varnothing$  2.5mm



### DIGITAL TYRE PROFILE GAUGE

Code No	Range (mm)	Range (inch)	Resolution (mm)	Resolution (inch)
MW176-01DTG	0-25	0-1	0.01	0.0005

## Digital Mini Depth Gauge 177 Series

### Features

- Spring loaded with hold measurement button for ease of use
- Supplied on retail packaging
- Plastic 50mm base
- M2.5 threaded measuring rod
- 25mm / 1" measuring stroke
- Includes 25mm and 50mm extension bars
- Battery CR2032
- Metric / Inch / Fraction reading



### DIGITAL MINI DEPTH GAUGE

Code No	Range (mm)	Range (inch)	Resolution (mm)	Resolution (inch)
MW177-01D	0-100	0-4	0.01	0.0005 / 1/128

## Mechanical Depth Gauge 172 Series

### Features

- 0-25mm travel mechanical indicator
- Satin chrome finish
- Rods connect together for full 550mm capacity
- Base size: 100mm
- Includes 2 extra points for small hole applications



### MECHANICAL DEPTH GAUGE

Code No	Range (mm)	Resolution (mm)
MW172-01	0-550	0.01

## Digital Depth Gauge 172 Series

### Features

- 0-25mm / 0-1" travel digital indicator
- Inch / mm conversion
- Zero setting at any position
- Rods connect together for full 550mm capacity
- Base size: 100mm
- Includes 2 extra points for small hole applications



### DIGITAL DEPTH GAUGE

Code No	Range (mm)	Range (inch)	Resolution (mm)	Resolution (inch)
MW172-01D	0-550	0-22	0.01	0.0005



## Vernier Depth Gauge 170 Series

### Features

Standard: Factory Standard

- Standard workshop model made of alloyed stainless steel
- Screw stop solid slider model
- With laser engraved graduations
- Measuring surface is micro-lapped



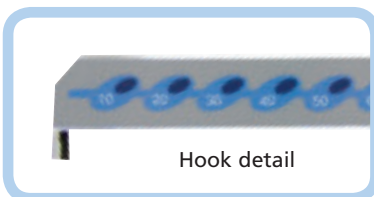
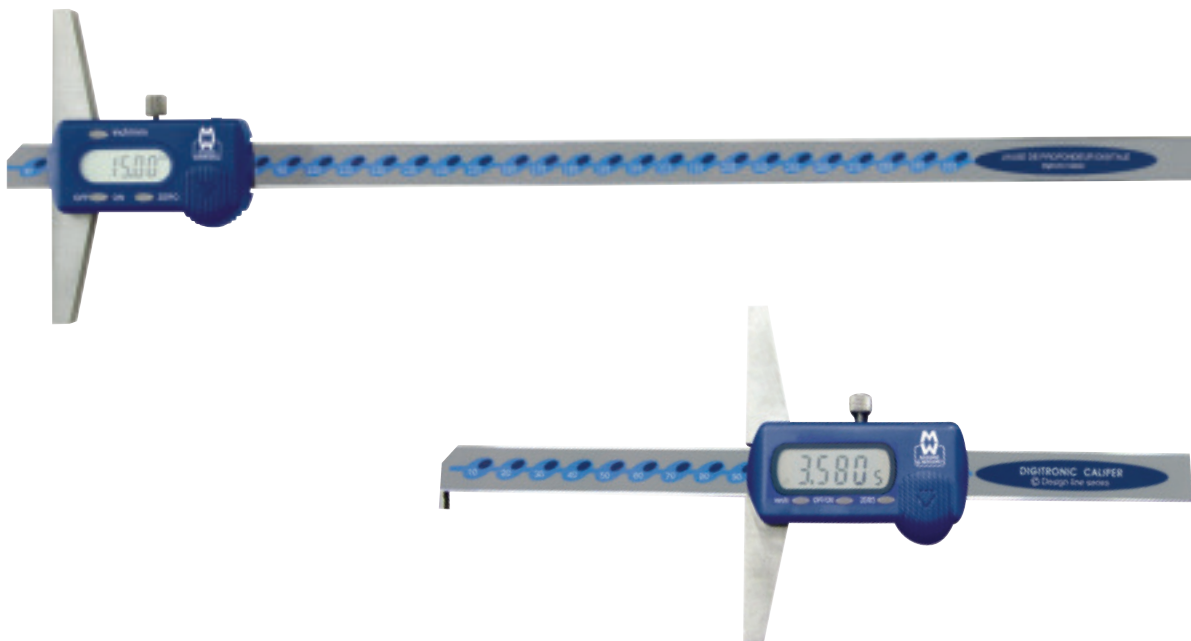
### VERNIER DEPTH GAUGE

Code No	Range (mm)	Resolution (mm)	Resolution (inch)	Size of Base (mm)
MW170-15	0-150	0.02	0.001	100
MW170-15B	0-150	0.05	1/128	100
MW170-20	0-200	0.02	0.001	100
MW170-20B	0-200	0.05	1/128	100
MW170-30	0-300	0.02	0.001	100
MW170-30B	0-300	0.05	1/128	100
MW170-50B	0-500	0.05	1/128	150
MW170-50BI	0-500	0.02	0.001	150

## Digital Depth Caliper 170-DB/DH Series

### Features

- Ground micro-lapped measuring surfaces
- Functions : mm / inch conversion, on / off, zero-setting, battery low indication
- Available with hook (H) or without hook (B)



### DEPTH CALIPER (Without Hook)

Code No	Range (mm)	Range (inch)	Resolution (mm)	Resolution (inch)	Size of Base (mm)
MW170-15DB	0-150	0-6	0.01	0.0005	100
MW170-20DB	0-200	0-8	0.01	0.0005	100
MW170-30DB	0-300	0-12	0.01	0.0005	150
MW170-30DB/100	0-300	0-12	0.01	0.0005	100

### DEPTH CALIPER (With Hook)

Code No	Range (mm)	Range (inch)	Resolution (mm)	Resolution (inch)	Size of Base (mm)
MW170-15DH	0-150	0-6	0.01	0.0005	100
MW170-20DH	0-200	0-8	0.01	0.0005	100
MW170-30DH	0-300	0-12	0.01	0.0005	100

Note: Hook width: 2mm

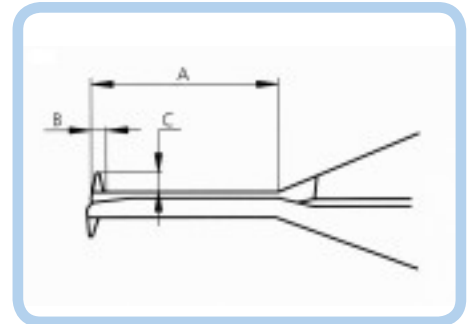
## Internal Digital Caliper

Incorporating advanced electronics, these advanced gauges have the benefit of a large digital readout and an auto adjusting analogue display. These gauges are ideally suited for measuring bores, internal grooves and other hard to reach inside dimensions.



### Features

- Large LCD display
- 0.005mm or 0.0002" resolution
- Preset capability
- Direct Inch/Metric conversion
- Absolute/Incremental measurements



### INTERNAL DIGITAL CALIPER SPECIFICATION

Code No	Range (mm)	Range (inch)	Dimn - A	Dimn - B	Dimn - C	Contact Radius
MW432-01DC	5-15	0.2-0.6	20.0	1.0	1.5	0.3mm
MW432-02DC	10-20	0.4-0.8	25.0	1.5	3.0	0.3mm
MW432-03DC	20-30	0.8-1.2	30.0	2.0	6.5	0.5mm
MW432-04DC	30-40	1.2-1.6	30.0	2.5	9.0	0.5mm
MW432-05DC	40-50	1.6-2.0	30.0	2.5	9.0	0.5mm

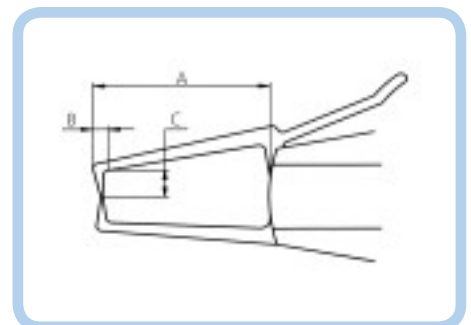
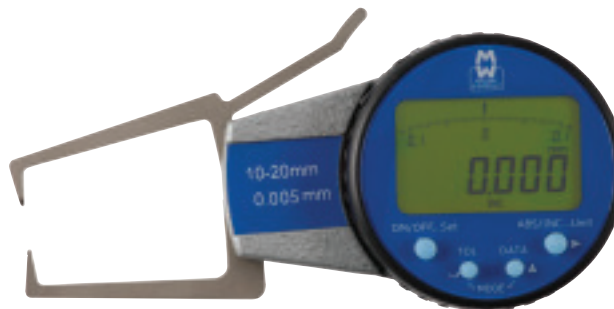
## External Digital Caliper

Incorporating advanced electronics, these advanced gauges have the benefit of a large digital readout and an auto adjusting analogue display. These gauges are ideally suited for measuring external grooves and other hard to reach outside dimensions.



### Features

- Large LCD display
- 0.005mm or 0.0002" resolution
- Preset capability
- Direct Inch/Metric conversion
- Absolute/Incremental measurements



### EXTERNAL DIGITAL CALIPER SPECIFICATION

Code No	Range (mm)	Range (inch)	Dimn - A	Dimn - B	Dimn - C	Contact Radius
MW442-01DC	0-10	0.2-0.4	40.0	3.0	8.0	0.5mm
MW442-02DC	10-20	0.4-0.8	40.0	3.0	8.0	0.5mm
MW442-03DC	20-30	0.8-1.2	40.0	3.0	8.0	0.5mm
MW442-04DC	30-40	1.2-1.6	40.0	3.0	8.0	0.5mm
MW442-05DC	40-50	1.6-2.0	40.0	3.0	8.0	0.5mm

## Vernier Height Gauge 190 Series

### Features

- Zero reference point can be adjusted for calibration
- Hardened stainless steel beam
- Measuring faces are micro-lapped for high accuracy
- Chrome plated scale
- Heavy duty base for increased stability
- Carbide tipped scriber
- With fine adjustment
- Magnifier glass for easy reading of vernier scale



### VERNIER HEIGHT GAUGE

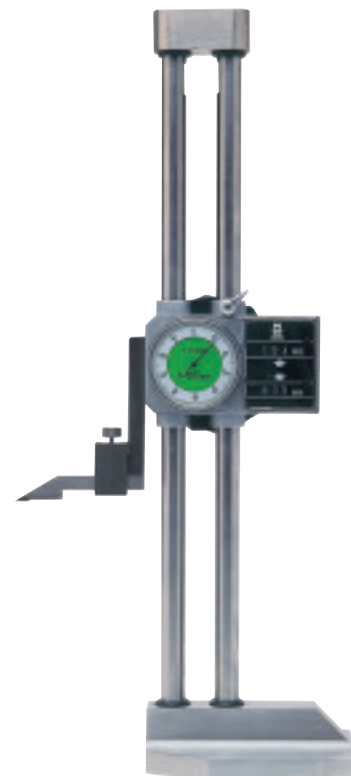
Code No	Range (mm)	Resolution (mm)	Size of Base (mm)
MW190-30	0-300	0.02	125 x 85
MW190-50	0-500	0.02	170 x 110
MW190-60	0-600	0.02	180 x 120

## Double Column Height Gauge 195 Series

### Features

Standard: Factory Standard

- Double column indicator height gauge
- Features dual directional digital counters and a dial indicator for fast and error free measurements
- Provided with a hand feed wheel for easy up and down feeding
- The digital counters can be set to zero at any position
- The double column combines high stability with absolute accuracy
- With carbide tipped scriber
- The counter reads steps of 1mm



### DOUBLE COLUMN HEIGHT GAUGE

Code No	Range (mm)	Resolution (mm)	Size of Base (mm)
MW195-30	0-300	0.01	125 x 85
MW195-50	0-600	0.01	180 x 120

## Digital Mini Height Gauge 192 Series

### Features

- Large LCD display
- Solid aluminium alloy base with magnets
- Hardened stainless steel beam
- Measuring range: 0-6" / 0-150mm
- Reading: inch/metric/fractional
- IP54 water, dust and oil resistant
- ABS, HOLD and power saving functions



### DIGITAL MINI HEIGHT GAUGE

Code No	Range (mm)	Range (inch)	Accuracy (mm)	Accuracy (inch)
MW192-20D	0-150	0-6	0.04	0.0015

## Digital Height Gauge 190 Series

### Features

- Easy to read LCD display
- Soft keys for maximum operating comfort
- Ground micro-lapped measuring surfaces
- Functions: mm/inch conversion, on/off, zero-setting, max, min, hold, battery low indication
- Fine adjustment for high precision measurement



### DIGITAL HEIGHT GAUGE

Code No	Range (mm)	Range (inch)	Resolution (mm)	Resolution (inch)	Size of Base (mm)
MW190-30DBL	0-300	0-12	0.01	0.0005	90 x 140
MW190-50DBL	0-500	0-20	0.01	0.0005	120 x 180
MW190-60DBL	0-600	0-24	0.01	0.0005	120 x 180

## Digital Height Gauge 193 Series

### Features

- Easy to read LCD Display
- Ground & Micro lapped measuring surfaces
- Functions: mm/inch conversion, on/off, zero setting, preset
- With fine adjustment
- Supplied with carbide tipped scriber
- Hand wheel operation with positive lock



### DIGITAL HEIGHT GAUGE

Code No	Range (mm)	Resolution (mm)	Repeatability (mm)	Accuracy (mm)
MW193-30DDL	0-300	0.01	0.01	+/- 0.040mm
MW193-60DDL	0-600	0.01	0.01	+/- 0.050mm

## Digital Double Column Height Gauge 195 Series

### Features

Standard: Factory Standard

- Double column digital height gauge
- Provided with a hand feed wheel for easy up and down feeding
- The double column combines high stability with absolute accuracy
- With carbide tipped scriber
- Features large 7.5mm height, digital display
- Soft keys for maximum operating comfort
- Ground micro-lapped measuring surfaces
- Functions: mm/inch conversion, on/off, data-output, zero-setting, max, min, battery low indication



### DIGITAL DOUBLE COLUMN HEIGHT GAUGE

Code No	Range (mm)	Range (inch)	Resolution (mm)	Resolution (inch)	Size of Base (mm)
MW195-30DDL	0-300	0-12	0.01	0.0005	125 x 85
MW195-60DDL	0-600	0-24	0.01	0.0005	180 x 120

## Traditional External Micrometer 1961 Series

### Features

Standard: BS870, DIN 863/1, ISO361

- Tungsten carbide measuring faces
- 6.5mm spindle diameter
- Speeder type ratchet
- Locking lever
- Choice of standard or vernier type sleeve
- Tapered bow frame
- Supplied in plastic pocket case
- Adjusting key
- Capacity of 0-25mm / 0-1"
- Pearl-chrome plated frame with insulation pads



### ACCURACY

Micrometer Range Max Size up to	Measuring Faces		Screw Pitch Accuracy
	Flatness	Parallelism	
25mm	0.001mm	0.003mm	0.003mm
1"	0.00005"	0.0001"	0.0001"

### MECHANICAL EXTERNAL MICROMETER

Code No	Range (mm)	Resolution (mm)	Code No	Range (inch)	Resolution (inch)
1961M	0-25	0.01	1961	0-1	0.001
1961MB	0-25	0.002	1961B	0-1	0.0001

## Traditional External Micrometer 1965 Series

### Features

Standard: BS870, DIN 863/1, ISO361

- Tungsten carbide measuring faces
- 6.5mm spindle diameter
- Speeder type ratchet
- Locking lever
- Choice of standard or vernier type sleeve
- Tapered bow frame
- Supplied in plastic pocket case
- Adjusting key
- Capacity from 0-25mm / 0-1"
- Blue textured frame finish



### ACCURACY

Micrometer Range Max Size up to	Measuring Faces		Screw Pitch Accuracy
	Flatness	Parallelism	
25mm	0.001mm	0.003mm	0.003mm
1"	0.00005"	0.0001"	0.0001"

### MECHANICAL EXTERNAL MICROMETER

Code No	Range (mm)	Resolution (mm)	Code No	Range (inch)	Resolution (inch)
1965M	0-25	0.01	1965	0-1	0.001
1965MB	0-25	0.002	1965B	0-1	0.0001



## Moore & Wright Traditional External Micrometers, 966 Series

Complies with: BS870, DIN 863/1, ISO361



### ACCURACY

Micrometer Range Max Size up to	Measuring Faces		Screw Pitch Accuracy
	Flatness	Parallelism	
50mm	0.001mm	0.003mm	0.003mm
2"	0.00005"	0.0001"	0.0001"
150mm	0.001mm	0.005mm	0.003mm
6"	0.00005"	0.0002"	0.0001"

### MOORE & WRIGHT MICROMETER SETTING STANDARDS

Metric			Imperial		
Code No	Length (mm)	Tolerance +/- (mm)	Code No	Length (inch)	Tolerance +/- (inch)
980S25	25mm	0.001	980S01	1	0.00005
980S50	50mm	0.002	980S02	2	0.0001
980S75	75mm	0.002	980S03	3	0.0001
980S100	100mm	0.002	980S04	4	0.0001
980S125	125mm	0.002	980S05	5	0.0001

Hardened and Ground Steel Measuring Faces with Flat Ends  
Fitted Insulating Sleeve  
Marked with Nominal Size

### 966 Series Features:

- Tungsten carbide measuring faces
- Blue textured frame finish
- Speeder type ratchet
- Locking lever
- Adjusting key
- Supplied in case
- Choice of standard or vernier type sleeve
- Spindle diameter 6.5mm

### MECHANICAL EXTERNAL MICROMETERS - IMPERIAL: 1-6"

Code No	Range (inch)	Description	Code No	Range (inch)	Description
19662	1-2	0.001" Carbide anvils	1966B2	1-2	0.0001" Carbide anvils
19663	2-3	0.001" Carbide anvils	1966B3	2-3	0.0001" Carbide anvils
19664	3-4	0.001" Carbide anvils	1966B4	3-4	0.0001" Carbide anvils
19665	4-5	0.001" Carbide anvils	1966B5	4-5	0.0001" Carbide anvils
19666	5-6	0.001" Carbide anvils	1966B6	5-6	0.0001" Carbide anvils

### MECHANICAL EXTERNAL MICROMETERS - METRIC: 25-150mm

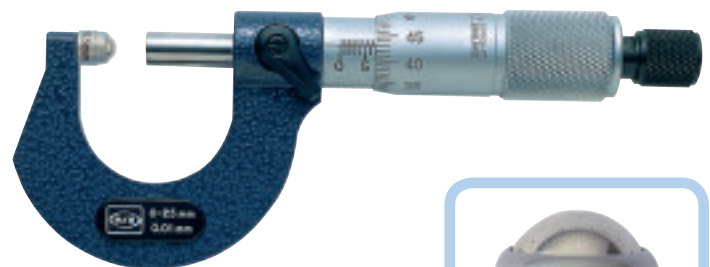
Code No	Range (mm)	Description	Code No	Range (mm)	Description
1966M50	25-50	0.01mm Carbide anvils	1966MB50	25-50	0.002mm Carbide anvils
1966M75	50-75	0.01mm Carbide anvils	1966MB75	50-75	0.002mm Carbide anvils
1966M100	75-100	0.01mm Carbide anvils	1966MB100	75-100	0.002mm Carbide anvils
1966M125	100-125	0.01mm Carbide anvils	1966MB125	100-125	0.002mm Carbide anvils
1966M150	125-150	0.01mm Carbide anvils	1966MB150	125-150	0.002mm Carbide anvils

## Micrometer Ball Attachment

### Features

- To suit the 1961, 1965 and 1966 series micrometers
- Can be fitted to the anvil or spindle on external micrometer series 1961, 1965 and 1966 to enable round or irregular surfaces to be measured
- The ball is hardened and moves freely to allow contact with the object being measured

Note: Always deduct the ball diameter from any reading.



### MICROMETER BALL ATTACHMENT

Code No	Description	Diameter (mm)	Diameter (inch)	Note
878M	6.5mm and 6.8mm	6.0 ball	-	1 of each spindle size supplied
878	0.256" and 0.268"	-	0.250 ball	1 of each spindle size supplied

## Workshop Outside Micrometer 200 Series

### Features

Standard: DIN 863

- Standard workshop model
- Resolution 0.01mm
- Satin-chrome scale
- Painted frame
- Tapered for easier access to difficult areas
- With tungsten carbide measuring face and constant force ratchet
- Packed in plastic box with standard and adjusting key



### WORKSHOP OUTSIDE MICROMETER

Code No	Range (mm)	Resolution (mm)
MW200-01BL	0-25	0.01
MW200-02BL	25-50	0.01
MW200-03BL	50-75	0.01
MW200-04BL	75-100	0.01

## External Micrometer 200 Series

### Features

Standard: DIN 863 / 1

- Tungsten carbide measuring faces
- Satin - chrome scale
- Hammertone finish frame with insulated grip
- Tapered for easier access to difficult areas
- Locking lever
- Constant force ratchet
- Supplied in plastic case
- Adjusting key



### EXTERNAL MICROMETER METRIC

Code No	Range (mm)	Resolution (mm)
MW200-01	0-25	0.01
MW200-02	25-50	0.01
MW200-03	50-75	0.01
MW200-04	75-100	0.01

### EXTERNAL MICROMETER IMPERIAL

Code No	Range (inch)	Resolution (inch)
MW200-01I	0-1	0.001
MW200-02I	1-2	0.001
MW200-03I	2-3	0.001
MW200-04I	3-4	0.001

## Workshop Digital Micrometer 200 Series

### Features

- Standard: DIN 863
- Large LCD display
  - Tapered for easier access to difficult areas
  - Hammertone finished frame with high quality insulated grip
  - Tungsten carbide measuring faces and constant force ratchet on thimble
  - Functions: mm/inch conversion, ABS/INC, zero setting
  - Packed in plastic box with standard (over 25mm)



### WORKSHOP DIGITAL EXTERNAL MICROMETER

Code No	Range (mm)	Range (inch)	Resolution (mm)	Resolution (inch)
MW200-01DBL	0-25	0-1	0.001	0.00005
MW200-02DBL	25-50	1-2	0.001	0.00005
MW200-03DBL	50-75	2-3	0.001	0.00005
MW200-04DBL	75-100	3-4	0.001	0.00005

## Digital External Micrometer 201 Series

### Features

- Standard: DIN 863
- Protected to IP54 specifications
  - Rugged steel design
  - Large LCD display
  - Absolute and Incremental modes
  - Carbide measuring faces
  - Ball attachment included
  - Packed in plastic box with standard (over 25mm)



### DIGITAL EXTERNAL MICROMETER

Code No	Range (mm)	Range (inch)	Resolution (mm)	Resolution (inch)
MW201-01DAB	0-25	0-1	0.001	0.00005"
MW201-02DAB	25-50	1-2	0.001	0.00005"
MW201-03DAB	50-75	2-3	0.001	0.00005"
MW201-04DAB	75-100	3-4	0.001	0.00005"

## Digital Absolute Snap Micrometer 202 Series

### Features

- Absolute Measuring System
- RS232 Digimatic output
- CR2032 battery
- Non rotating spindle
- Constant measuring force
- Quick & repeatable measurement



### DIGITAL ABSOLUTE SNAP MICROMETER

Code No	Range (mm)	Range (inch)	Resolution (mm)	Resolution (inch)	Accuracy (mm)	Accuracy (inch)
MW202-01DABS	0-25	0-1	0.001	0.00005	0.003	0.00015
MW202-02DABS	25-50	1-2	0.001	0.00005	0.003	0.00015
MW202-03DABS	50-75	2-3	0.001	0.00005	0.004	0.0002
MW202-04DABS	75-100	3-4	0.001	0.00005	0.004	0.0002

### DATA CABLE

Code No	Description
MW-Y100/700USB	Data Cable-USB to suit all DABS products

## Large External Micrometer 210 Series

### Features

Standard: DIN 863

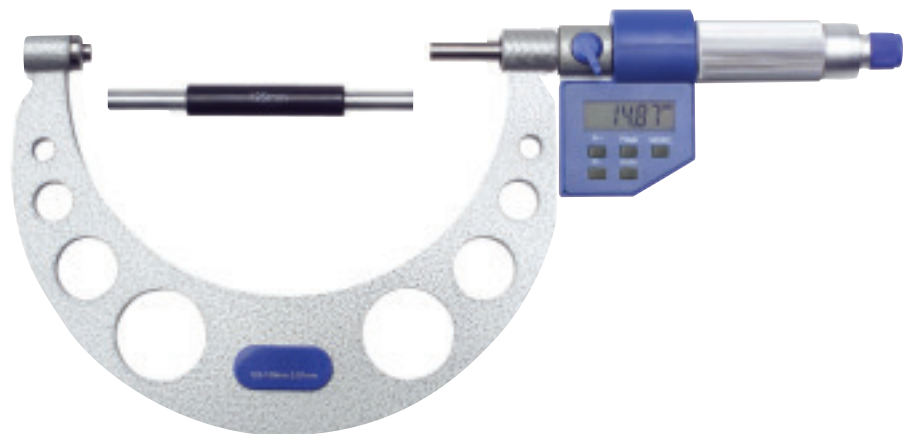
- Strong forged steel frame, hammertone finish, quality insulated grip
- Satin-chrome scale
- With tungsten carbide measuring faces and constant force ratchet
- Packed in wooden box with standard and adjusting key



### LARGE EXTERNAL MICROMETER

Code No	Range (mm)	Resolution (mm)
MW210-01	100-125	0.01
MW210-02	125-150	0.01
MW210-03	150-175	0.01
MW210-04	175-200	0.01
MW210-05	200-225	0.01
MW210-06	225-250	0.01
MW210-07	250-275	0.01
MW210-08	275-300	0.01

## Digital Large External Micrometer 210-DDL Series



### Features

Standard: DIN 863

- Strong forged steel frame, hammertone finish, quality insulated grip
- With tungsten carbide measuring faces and constant force ratchet
- Functions: mm/inch conversion, set, on/off zero-setting, data-output, battery low indication, hold, 0...ABS
- Packed in wooden box with standard and battery cover key

### EXTERNAL MICROMETER - Metric Range Only

Code No	Range (mm)	Resolution (mm)	Resolution (inch)
MW210-01DDL	100-125	0.001	0.00005
MW210-02DDL	125-150	0.001	0.00005
MW210-03DDL	150-175	0.001	0.00005
MW210-04DDL	175-200	0.001	0.00005
MW210-05DDL	200-225	0.001	0.00005
MW210-06DDL	225-250	0.001	0.00005
MW210-07DDL	250-275	0.001	0.00005
MW210-08DDL	275-300	0.001	0.00005

## Traditional Micrometers, Boxed Sets

Complies with BS870, DIN 863 / 1, ISO361, where applicable.

Each set is supplied in a fitted case.

### Features

- Resolutions of 0.01mm or 0.002mm metric, or 0.001" or 0.0001" imperial
- Tungsten carbide 6.5mm diameter anvils
- Supplied with setting standards



#### RESOLUTION 0.01MM

Code No	Range (mm)	Description
MEB-322M	0-150	Carbide anvils

#### RESOLUTION 0.002MM

Code No	Range (mm)	Description
MEB-422M	0-150	Carbide anvils

#### RESOLUTION 0.001"

Code No	Range (inch)	Description
MEB-322E	0-6	Carbide anvils

#### RESOLUTION 0.0001"

Code No	Range (inch)	Description
MEB-422E	0-6	Carbide anvils

## Workshop External Micrometer Set 215 Series

### Features

Standard: DIN 863

- Satin-chrome scale
- Satin-chrome forged steel frame with insulated grip
- With tungsten carbide measuring faces and constant force ratchet
- Packed in wooden box with standards and adjusting key



#### WORKSHOP EXTERNAL MICROMETER SET - Metric

Code No	Range (mm)	Resolution (mm)	Note
MW215-01BL	0-75	0.01	3 Micrometers In Set
MW215-02BL	0-100	0.01	4 Micrometers In Set
MW215-03BL	0-150	0.01	6 Micrometers In Set
MW215-04BL	0-200	0.01	8 Micrometers In Set

#### WORKSHOP EXTERNAL MICROMETER SET - Imperial

Code No	Range (inch)	Resolution (inch)	Note
MW215-01BLI	0-3	0.001	3 Micrometers In Set
MW215-02BLI	0-4	0.001	4 Micrometers In Set
MW215-03BLI	0-6	0.001	6 Micrometers In Set
MW215-04BLI	0-8	0.001	8 Micrometers In Set

## Micrometer with Interchangeable Anvils 217 Series

### Features

Standard: DIN 863

- Features wide measuring range with interchangeable anvils
- Hardened and ground spindles/anvils
- Strong forged steel frame, hammertone finish, quality insulated grip
- Satin-chrome scale
- With tungsten carbide measuring faces and constant force ratchet
- Packed in wooden box with standard and adjusting key



### MICROMETER WITH INTERCHANGEABLE ANVILS

Code No	Range (mm)	Resolution (mm)
MW217-01	0-100	0.01
MW217-02	0-150	0.01
MW217-03	100-200	0.01
MW217-04	150-300	0.01
MW217-05	200-300	0.01

## Analogue Snap Micrometer

### Features

- Measuring range 0-25mm & 25-50mm
- Retractable anvil with an indicator for precise measurement of mass produced parts
- Micrometer accuracy 0.003mm
- Indicator accuracy 0.001mm
- Adjustable depth stop



### ANALOGUE SNAP MICROMETER

Code No	Range (mm)	Resolution (mm)	Indicator Range
MW290-01	0-25	0.001	+/- 0.04mm
MW290-02	25-50	0.001	+/- 0.04mm

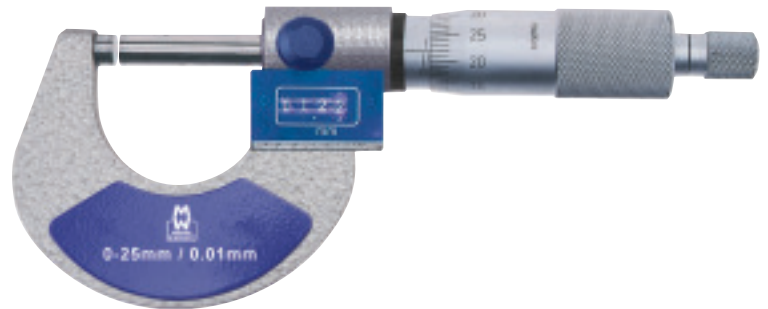


## Mechadigit Outside Micrometer 230 Series

### Features

Standard: DIN 863

- Low cost, mechanical/digital read-out micrometer
- Satin-chrome scale
- Forged steel frame with insulated grip
- Tapered for easier access to difficult areas
- With tungsten carbide measuring faces and constant force ratchet
- Packed in wooden/plastic box with standard and adjusting key



### MECHADIGIT OUTSIDE MICROMETER

Code No	Range (mm)	Resolution (mm)
MW230-01MDB	0-25	0.01
MW230-02MDB	25-50	0.01

## Workshop Blade Micrometer 275 Series

### Features

Standard: DIN 863

- For measuring grooves, keyways etc.
- Blade 6.5mm non-rotating spindle
- Blade: 1.25mm thick
- Satin-chrome scale
- Hammertone finish frame with insulated grip
- Tapered for easier access to difficult areas
- Constant force ratchet on thimble
- Supplied in plastic case
- Adjusting key



### BLADE EXTERNAL MICROMETER

Code No	Range (mm)	Resolution (mm)
MW275-01	0-25	0.01
MW275-02	25-50	0.01
MW275-03	50-75	0.01
MW275-04	75-100	0.01

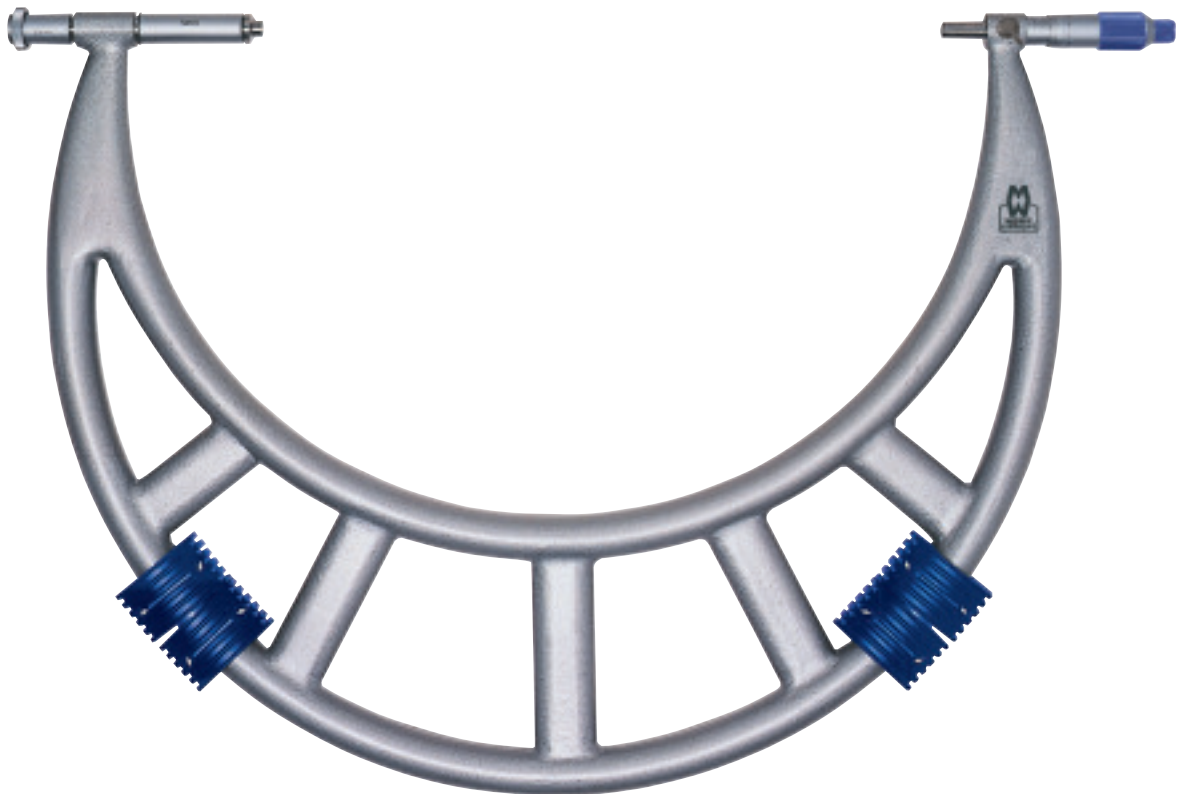


## Large Adjustable External Metric Micrometer 220 Series

### Features

Standard: DIN 863 / IAIS

- Features wide measuring range with interchangeable anvils
- Hardened and ground spindles/anvils
- Tube type low weight model
- Satin-chrome scale
- Dur-al frame with insulated grips
- With tungsten carbide measuring faces and constant force ratchet
- Packed in wooden box with standard and adjusting key



### LARGE ADJUSTABLE EXTERNAL MICROMETER

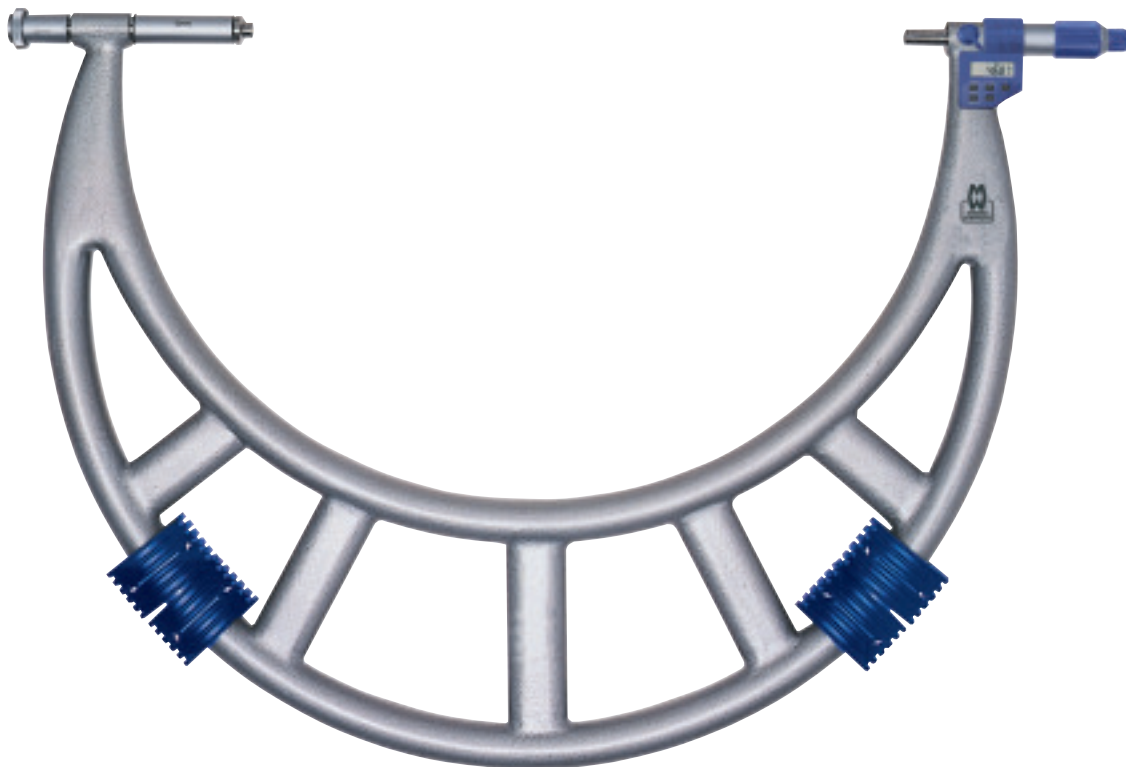
Code No	Range (mm)	Resolution (mm)
MW220-01	300-400	0.01
MW220-02	400-500	0.01
MW220-03	500-600	0.01
MW220-04	600-700	0.01
MW220-05	700-800	0.01
MW220-06	800-900	0.01
MW220-07	900-1000	0.01
MW220-08	1000-1200	0.01
MW220-09	1200-1400	0.01

## Large Adjustable External Digital Micrometer 220-DDL Series

### Features

Standard: DIN 863 / IAIS

- Features wide measuring range with interchangeable anvils
- Hardened and ground spindles/anvils
- Tube type low weight, Dur-al frame with insulated grips
- With tungsten carbide measuring faces and constant force ratchet on thimble
- Packed in a wooden box with setting standard and adjusting key
- Large 7.5mm character height digital display
- Functions: tolerance indication, ABS/INC, preset, on/off, zero-setting, battery low indication



### LARGE ADJUSTABLE DIGITAL EXTERNAL MICROMETER

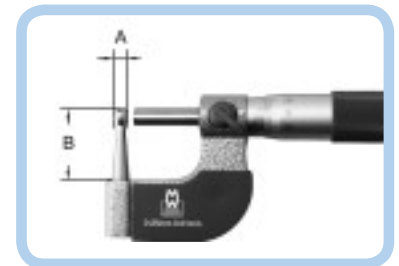
Code No	Range (mm)	Resolution (mm)
MW220-01DDL	300-400	0.001
MW220-02DDL	400-500	0.001
MW220-03DDL	500-600	0.001
MW220-04DDL	600-700	0.001
MW220-05DDL	700-800	0.001
MW220-06DDL	800-900	0.001
MW220-07DDL	900-1000	0.001

## Tube Micrometer 255 Series

### Features

Standard: DIN 863

- Micrometer for measuring tube wall thickness
- With spherical anvil
- Satin - chrome scale
- Hammertone finished frame with insulated grip
- Tungsten carbide measuring faces on spindle
- Constant force ratchet on thimble
- Supplied in plastic box



### TUBE MICROMETER

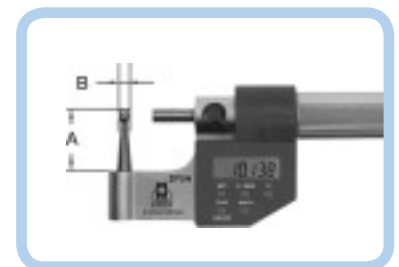
Code No	Range (mm)	Resolution (mm)	Dimn – A	Dimn – B
MW255-01	0-25	0.01	27.5mm	4.75mm
MW255-02	25-50	0.01	27.5mm	4.75mm

## Digital Tube Micrometer 255-DDL Series

### Features

Standard: DIN 863

- Digital micrometer for measuring tube wall thickness
- With spherical anvil
- With constant force ratchet thimble
- Chrome plated frame
- Functions: mm/inch conversion, on/off, zero-setting, battery low indication, hold, 0...ABS
- Packed in plastic box with standard and battery cover key



### DIGITAL TUBE MICROMETER

Code No	Range (mm)	Range (inch)	Resolution (mm)	Resolution (inch)	Dimn – A	Dimn – B
MW255-01DDL	0-25	0-1	0.001	0.00005	27.5mm	4.75mm
MW255-02DDL	25-50	1-2	0.001	0.00005	27.5mm	4.75mm

## Point Micrometer 270 Series

### Features

Standard: DIN 863

- Pointed spindle and anvil for measuring the web thickness of drills, small grooves, keyways and other hard to reach places
- Hammertone finished frame with high quality insulated grip
- Tapered for easier access to difficult areas
- With tungsten carbide measuring faces and constant force ratchet on thimble
- Packed in plastic box with standard and adjusting key



### POINT MICROMETER

Code No	Range (mm)	Resolution (mm)	Point Angle
MW270-01	0-25	0.01	15°
MW270-02	25-50	0.01	15°
MW270-03	50-75	0.01	15°
MW270-04	75-100	0.01	15°
MW270-05	0-25	0.01	30°
MW270-06	25-50	0.01	30°
MW270-07	50-75	0.01	30°
MW270-08	75-100	0.01	30°

## Workshop Digital Point Micrometer 270 Series

### Features

Standard: DIN 863

- Pointed spindle and anvil for measuring the web thickness of drills, small grooves, keyways and other hard to reach places
- With constant force ratchet thimble
- Hammertone finished frame with high quality insulated grip
- Tapered for easier access to difficult areas
- Functions: mm/inch conversion, ABS/INC, on/off, zero-setting, battery low indication
- Packed in plastic box with standard setting rod



### DIGITAL POINT MICROMETER

Code No	Range (mm)	Range (inch)	Resolution (mm)	Resolution (inch)	Point Angle
MW270-01DDL	0-25	0-1	0.001	0.00005	30°
MW270-02DDL	25-50	1-2	0.001	0.00005	30°
MW270-03DDL	50-75	2-3	0.001	0.00005	30°
MW270-04DDL	75-100	3-4	0.001	0.00005	30°

## Caliper Type Inside Micrometer 280 Series

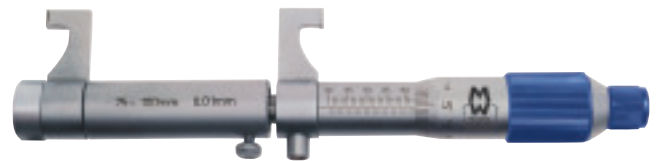
### Features

Standard: DIN 863

- For measuring the inside of a bore or hole
- Resolution 0.01mm
- With constant force ratchet thimble
- Satin chrome finished frame
- Constant force ratchet
- Locking clamp for positive locking of spindle
- Packed in plastic box with setting ring and adjusting key



MW280-01



MW280-04

### CALIPER TYPE INSIDE MICROMETER

Code No	Range (mm)	Resolution (mm)	Setting Rings
MW280-01	5-30	0.01	Yes
MW280-02	25-50	0.01	Yes
MW280-03	50-75	0.01	No
MW280-04	75-100	0.01	No
MW280-05	100-125	0.01	No
MW280-06	125-150	0.01	No
MW280-07	150-175	0.01	No
MW280-08	175-200	0.01	No

## Digital Caliper Type Inside Micrometer 280-DDL Series

### Features

Standard: DIN 863

- For measuring the inside of a bore or hole
- With constant force ratchet thimble
- Satin chrome finished frame with high quality insulated grip
- Functions: mm / inch conversion, tolerance indication, ABS / INC, preset, on / off, zero-setting, battery low indication



MW280-01DDL



MW280-05DDL

### DIGITAL CALIPER TYPE INSIDE MICROMETER

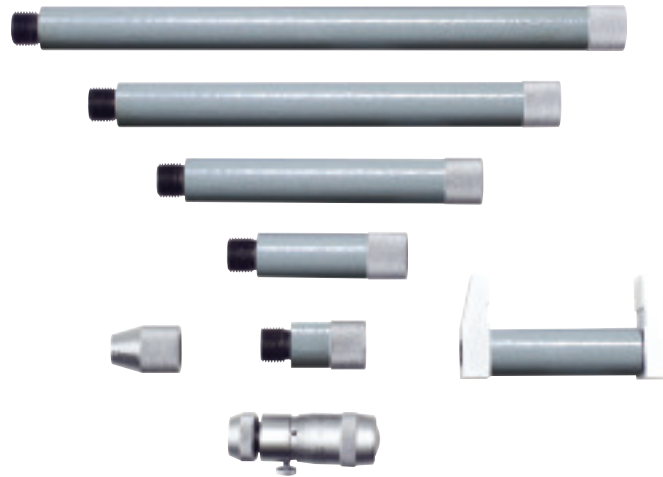
Code No	Range (mm)	Range (inch)	Resolution (mm)	Resolution (inch)	Setting Rings
MW280-01DDL	5-30	0.2-1.2	0.001	0.00005	Yes
MW280-02DDL	25-50	1-2	0.001	0.00005	Yes
MW280-03DDL	50-75	2-3	0.001	0.00005	No
MW280-04DDL	75-100	3-4	0.001	0.00005	No
MW280-05DDL	100-125	4-5	0.001	0.00005	No
MW280-06DDL	125-150	5-6	0.001	0.00005	No

## Tubular Internal Micrometer 300 Series

### Features

Standard: DIN 863

- Ideal for large diameters
- With tungsten carbide measuring faces
- All measuring faces are micro-lapped
- Satin-chromed scale and body with lock screw
- All extension pieces equipped with gauge parts are under constant spring loading
- Packed in a wooden box
- Supplied with setting piece



### TUBULAR INTERNAL MICROMETER

Code No	Range (mm)	Resolution (mm)
MW300-01	50-250	0.01
MW300-02	50-600	0.01
MW300-04	150-2000	0.01



Assembled Micrometer

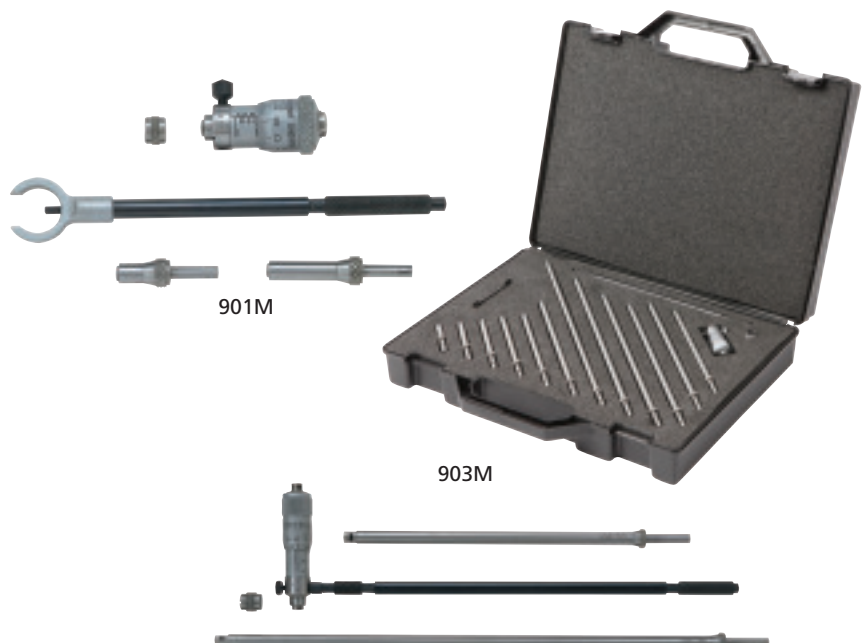
## Moore & Wright Traditional Internal Micrometers 900 Series

Each model comprises a measuring head, a set of extension rods and a spacing collar to facilitate alternative measuring ranges. The smaller models (901, 902 & 903) have detachable extension handles. All models supplied in a fitted case.

Complies with: BS959

### Features

- Supplied in a fitted case



### METRIC

Code No	Range (mm)	Head Range (mm)
901M	25-55	5
902M	50-210	10
903M	50-310	10

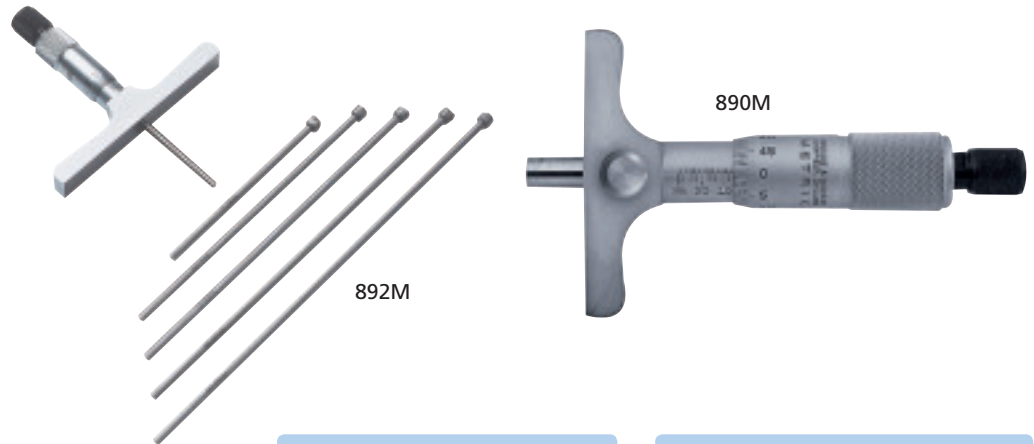
### IMPERIAL

Code No	Range (inch)	Head Range (inch)
901	1-2	0.25
902	2-8	0.50
903	2-12	0.50



## Moore & Wright Traditional Depth Gauge Micrometer

Complies with BS6468:1984



### 890 Series:

- Fixed depth rod, 6.5mm diameter
- 63.5mm / 2 1/2" base length
- 'Speeder' type ratchet
- Lock screw

### 891 Series:

- Interchangeable depth rods, 4.5mm diameter
- 63.5mm / 2 1/2" base length

### 892 Series:

- As 891 Series except for: 100mm / 4" base length

#### DEPTH GAUGE MICROMETER - METRIC

Code No	Range (mm)
890M	0-25
891M75	0-75
891M150	0-150
891M300	0-300
892M75	0-75
892M150	0-150
892M300	0-300

#### DEPTH GAUGE MICROMETER - IMPERIAL

Code No	Range (inch)
890	0-1
8913	0-3
8916	0-6
89112	0-12
8923	0-3
8926	0-6
89212	0-12

## Digital Depth Micrometer 305-DDL Series

### Features

Standard: DIN 863

- Interchangeable rods (spherical ends)
- Rods are hardened and spherically lapped
- Constant force ratchet thimble
- Satin chrome finished base
- Functions: mm / inch conversion, set, on/off, zero-setting, battery low indication, hold, 0...ABS



#### DIGITAL DEPTH MICROMETER

Code No	Range (mm)	Range (inch)	Resolution (mm)	Resolution (inch)	Size of Base (mm)
MW305-00DDL	0-25	0-1	0.001	0.00005	100
MW305-01DDL	0-50	0-2	0.001	0.00005	100
MW305-02DDL	0-100	0-4	0.001	0.00005	100
MW305-03DDL	0-150	0-6	0.001	0.00005	100
MW305-04DDL	0-200	0-8	0.001	0.00005	100
MW305-05DDL	0-300	0-12	0.001	0.00005	100

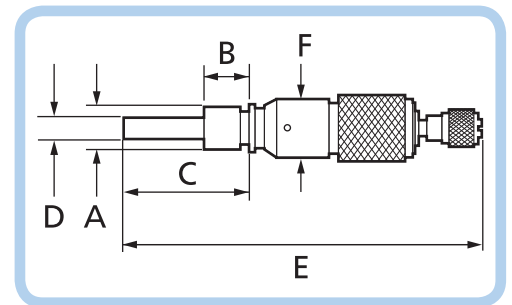


## Extra Small Micrometer Head 310 Series

### Features

Standard: Factory Standard

- Universal micrometer head for incorporating into machines or other purposes
- Satin chrome finished body
- Laser engraved graduations



### EXTRA SMALL MICROMETER HEAD

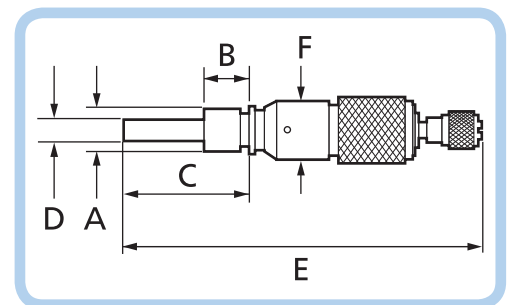
Code No	Range (mm)	Note	Resolution (mm)	Dimn - A	Dimn - B	Dimn - C	Dimn - D	Dimn - E	Dimn - F
MW310-05	0-5	Measuring Face - Flat	0.01	3.5	5.00	12.00	2.00	32.00	6.00
MW310-05R	0-5	Measuring Face - Spherical	0.01	3.5	5.00	12.00	2.00	32.00	6.00

## Small Micrometer Head 310 Series

### Features

Standard: Factory Standard

- Universal small micrometer head for incorporating into machines or other purposes, easy to read due to large thimble
- Satin chrome finished body
- Laser engraved graduations



### SMALL MICROMETER HEAD

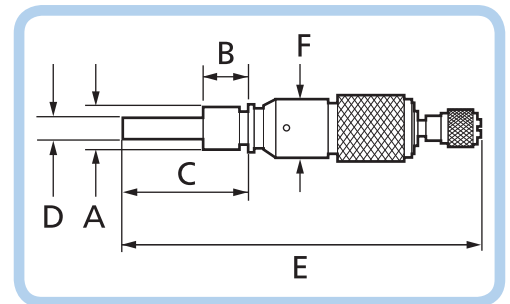
Code No	Range (mm)	Note	Resolution (mm)	Dimn - A	Dimn - B	Dimn - C	Dimn - D	Dimn - E	Dimn - F
MW310-06	0-6.5	Measuring Face - Flat	0.01	6.00	8.00	15.00	3.50	37.00	10.00
MW310-06R	0-6.5	Measuring Face - Spherical	0.01	6.00	8.00	15.00	3.50	37.00	10.00

## Small Micrometer Head 310 Series

### Features

Standard: Factory Standard

- Spindle diameter 6.5mm
- Universal small micrometer head for X-Y stages or other purposes
- Satin-chrome finished body
- Laser engraved graduations



### SMALL MICROMETER HEAD

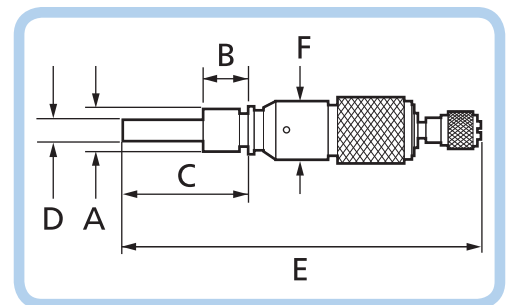
Code No	Range (mm)	Note	Resolution (mm)	Dimn - A	Dimn - B	Dimn - C	Dimn - D	Dimn - E	Dimn - F
MW310-13	0-13	Measuring Face - Flat	0.01	9.50	10.50	24.00	5.00	59.00	13.50

## Small Micrometer Head 310 Series

### Features

Standard: Factory Standard

- Spindle diameter 6.5mm
- Universal micrometer head for X-Y stages or other purposes
- Satin-chrome finished body
- Laser engraved graduations



### SMALL MICROMETER HEAD

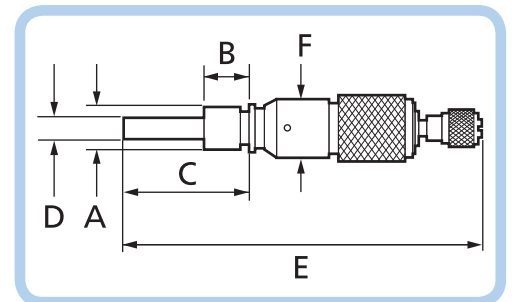
Code No	Range (mm)	Note	Resolution (mm)	Dimn - A	Dimn - B	Dimn - C	Dimn - D	Dimn - E	Dimn - F
MW310-15	0-15	Measuring face - Flat	0.01	9.50	9.50	26.00	5.00	61.00	13.50

## Standard Micrometer Head 310 Series

### Features

Standard: Factory Standard

- Spindle diameter 6.5mm
- Universal micrometer head for X-Y stages or other purposes
- Satin-chrome finished body
- Laser engraved graduations
- With constant force ratchet



### METRIC: Micrometer Heads

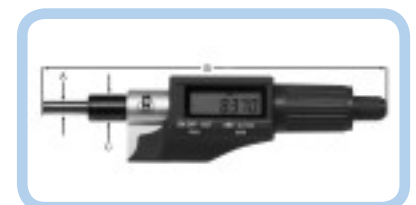
Code No	Range (mm)	Note	Resolution (mm)	Dimn - A	Dimn - B	Dimn - C	Dimn - D	Dimn - E	Dimn - F
MW310-25	0-25	Measuring face - Flat	0.01	12.00	16.00	46.00	6.50	115.00	18.00

## Digital Micrometer Head 312 Series

### Features

Standard: DIN 862

- Universal micrometer head for X-Y stages or other purposes
- Large LCD display
- Constant force ratchet thimble
- Functions: mm/inch conversion, ABS/INC, zero-setting



### DIGITAL MICROMETER HEAD

Code No	Range (mm)	Range (inch)	Resolution (mm)	Resolution (inch)	Dimn - A	Dimn - B	Dimn - C
MW312-25D	0-25	1	0.001	0.00005	6.5	150	12.0

## Micrometer Stand

### Features

- Designed for micrometers up to 100mm
- Painted cast iron base with plastic covered clamping jaws
- Angle adjustable



### MICROMETER STAND

Code No	Description
MW279-01A	Stand for micrometers up to 100mm

## Basic Micrometer Stand

### Features

- Designed for micrometers up to 100mm
- Clamp opening 5-15mm
- Painted cast iron base



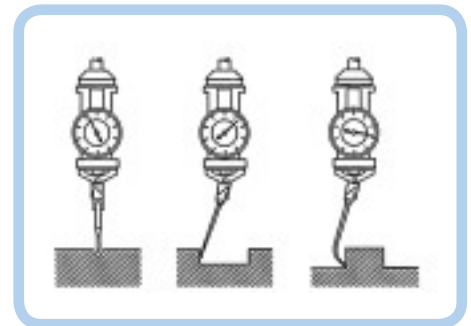
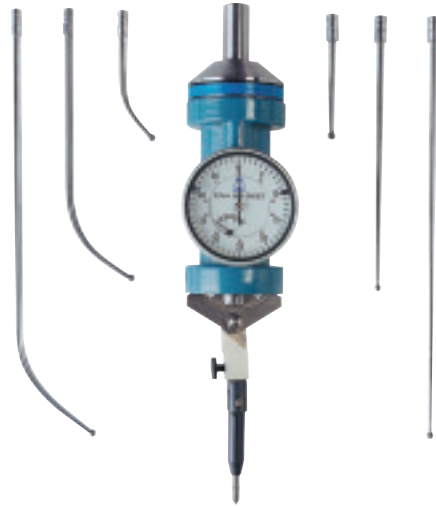
### BASIC MICROMETER STAND

Code No	Description
MW279-02	Folding stand for micrometers up to 100mm

## Universal Centre Finder with Indicator

### Features

- Standard: Factory Standard
- Universal equipment for finding the centre of a bore or to measure the concentricity of work pieces
- Indicator always faces operator, also when spindle runs
- With double indicator for maximum accuracy
- For vertical and horizontal use
- Includes 6 touch points for internal and external measurement



### UNIVERSAL CENTRE FINDER

Code No	Description	Range - Internal (mm)	Range - External (mm)	Concentricity	Accuracy (mm)	Indicator Range (mm)
MW612-01	Centre finder	3.5-300	0-300	0.005mm	0.01	0-3

## Digital Bore Gauging

### Features

Standard: DIN 863 - Part 4

- Measurement range from 6-100mm
- Ergonomically designed pistol grip body
- Functions include 2 pre-set memories, tolerance indicator lights and mm/inch conversion
- RS232 data output facility
- Self centring measuring heads with tungsten carbide contact points
- Setting rings provided with each instrument complete with traceable certification
- Blind bore measurement on all instruments above 12.5mm



### BOXED SETS

Code No	Range (mm)	Note	Accuracy (mm)
SXTHSY3M-MW	6-10	Maximum bore depth - 58mm	0.004
SXTHSY4M-MW	10-20	Maximum bore depth - 62mm	0.004
SXTHSY5M-MW	20-50	Maximum bore depth - 66mm	0.004
SXTHSY6M-MW	50-100	Maximum bore depth - 82mm	0.005
SXTHSY10M-MW	6-20	Maximum bore depth - 58-62mm	0.004
SXTHSY11M-MW	20-100	Maximum bore depth - 66-82mm	0.005

## Analogue Bore Gauging

### Features

Standard: DIN 863

- Range 2-300mm
- 2-6mm 2 point / 6-300mm 3 point measurement
- Tungsten carbide contact points above 12.5mm
- Traceable certificates supplied as standard with all micrometers and setting rings
- Blind bore measurement from 2-6mm and above 12.5mm diameter
- Micrometer head fitted with a ratchet for constant gauging pressure
- Supplied in robust fitted case
- Extensions available above 6mm for deep hole measurement
- Price includes setting ring
- Available as individual instruments or boxed sets



### ANALOGUE BORE GAUGING

Code No	Range (mm)	Accuracy (mm)	Depth (mm)
EXP1M-MW	2-2.5	0.004	9
EXP2M-MW	2.5-3	0.004	9
EXP3M-MW	3-4	0.004	12
EXP4M-MW	4-5	0.004	18
EXP5M-MW	5-6	0.004	18
EXP6M-MW	6-8	0.004	58
EXP8M-MW	8-10	0.004	58
EXP10M-MW	10-12.5	0.004	58
EXP12M-MW	12.5-16	0.004	62
EXP16M-MW	16-20	0.004	62
EXP20M-MW	20-25	0.004	66
EXP25M-MW	25-35	0.004	66
EXP35M-MW	35-50	0.004	80
EXP50M-MW	50-65	0.005	80
EXP65M-MW	65-80	0.005	80
EXP80M-MW	80-100	0.005	100
EXP100M-MW	100-125	0.006	115
EXP125M-MW	125-150	0.006	115
EXP150M-MW	150-175	0.007	115
EXP175M-MW	175-200	0.007	115
EXP200M-MW	200-225	0.008	118
EXP225M-MW	225-250	0.008	118
EXP250M-MW	250-275	0.009	118
EXP275M-MW	275-300	0.009	118

### BOXED SETS

Code No	Range (mm)
EXPS1M-MW	2-3
EXPS2M-MW	3-6
EXPS3M-MW	6-10
EXPS4M-MW	10-20
EXPS5M-MW	20-50
EXPS6M-MW	50-100
EXPS7M-MW	100-150
EXPS8M-MW	150-200

## Cylinder Bore Gauge Sets 316 Series

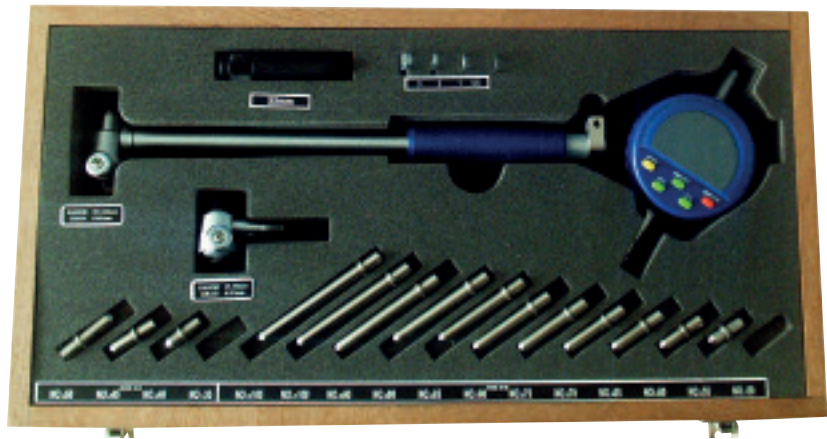
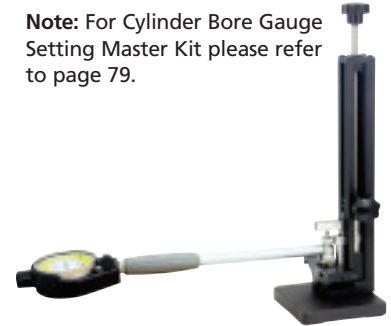
### Features

- With interchangeable contact points
- Set of carbide tipped contact points included
- Unique self centring device
- Supplied with dial indicator, resolution 0.01mm
- Packed as set with all necessary accessories to measure the complete range as shown

### Digital Bore Gauge Sets

- Supplied with digital indicator with bar graph and numerical display

**Note:** For Cylinder Bore Gauge Setting Master Kit please refer to page 79.



### CYLINDER BORE GAUGES

Code No	Range (mm)	Resolution (mm)
MW316-01	6-10	0.01
MW316-02	10-18	0.01
MW316-03	18-35	0.01
MW316-04	35-50	0.01
MW316-05	50-160	0.01
MW316-06	160-250	0.01

### DIGITAL BORE GAUGE SET

Code No	Range (mm)	Resolution (mm)	Resolution (inch)	Measuring Depth (mm)	Measuring Depth (inch)
MW316-12D	35-160	0.001	0.0005	200	8



## Dial Test Indicator 420 Series

### Features

- Automatic reversal of measuring direction
- High precision fully jewelled bearings
- Rotating dial
- Two dovetail clamps
- Carbide points
- Styli Length: 12mm / 1/2"



MW420-04

### METRIC: Dial Test Indicator 420 Series

Code No	Range (mm)	Graduation (mm)	Dial Reading	Dial Diameter (mm)
MW420-03	0.8	0.01	0-40-0	25
MW420-04	0.8	0.01	0-40-0	37

### IMPERIAL: Dial Test Indicator 420 Series

Code No	Range (inch)	Graduation (inch)	Dial Reading	Dial Diameter (inch)
MW420-03I	0.030	0.0005	0-15-0	1
MW420-04I	0.030	0.0005	0-15-0	1 1/2

### METRIC: Dial Test Indicator 421 Series

Code No	Range (mm)	Graduation (mm)	Dial Reading	Dial Diameter (mm)
MW421-01	0.2	0.002	0-100-0	25
MW421-02	0.2	0.002	0-100-0	37

### IMPERIAL: Dial Test Indicator 421 Series

Code No	Range (inch)	Graduation (inch)	Dial Reading	Dial Diameter (inch)
MW421-01I	0.008	0.0001	0-4-0	1
MW421-02I	0.008	0.0001	0-4-0	1 1/2

### METRIC: Dial Test Indicator 422 Series

Code No	Range (mm)	Graduation (mm)	Dial Reading	Dial Diameter (mm)
MW422-01	1.6	0.01	0-40-0	37

### IMPERIAL: Dial Test Indicator 422 Series

Code No	Range (inch)	Graduation (inch)	Dial Reading	Dial Diameter (inch)
MW422-01I	0.060	0.0005	0-15-0	1 1/2

## Dial Test Indicator Accessories



Universal Holder



Contact Points



Dovetail Stem

### DIAL TEST INDICATOR ACCESSORIES

Code No	Description
MW-Z40010	Universal Holder
MW-Z40012	Contact point 12mm length, 1mm steel ball
MW-Z40013	Contact point 12mm length, 2mm carbide ball
MW-Z40014	Contact point 12mm length, 3mm carbide ball

Code No	Description
MW-Z40016	Contact point 1/2" length, 0.040" steel ball
MW-Z40018	Contact point 1/2" length, 0.120" carbide ball
MW-Z40020	Dovetail stem 4mm clamping diameter
MW-Z40022	Dovetail stem 8mm clamping diameter

## Dial Indicator 400 Series

MW400-02



MW400-03



MW400-04



MW400-05



MW400-06



MW400-06B



MW400-08



MW400-09



### Features

Standard: DIN 878

- Satin-chromed body
- With tungsten carbide measuring contact
- With double dial indicator for measuring mm stroke
- Shockproof
- Micron versions are jewelled
- Adjustable bezel with stop screw
- Packed in foam box

### DIAL INDICATOR

Code No	Range (mm)	Resolution (mm)	Dial Diameter	Description
MW400-01	0-1.0	0.001	58mm	Flat back
MW400-02	0-1.0	0.001	58mm	Lug back
MW400-03	0-3.0	0.01	42mm	Lug back and flat back
MW400-04	0-5.0	0.01	42mm	Lug back
MW400-05	0-10.0	0.01	58mm	Flat back
MW400-06	0-10.0	0.01	58mm	Ear back
MW400-06B	0-10.0	0.01	54mm	Waterproof
MW400-08	0-30.0	0.01	58mm	Lug back
MW400-09	0-50.0	0.01	58mm	Lug back

## Dial Indicator 401 Series

### Features

Standard: ANSI B89.1.10

- Aluminium body
- With Tungsten carbide measuring tip
- Adjustable bezel with stop screw
- Tolerance indicators
- Lug back (flat back is optional)



MW401-01



MW401-02



MW401-05

### DIAL INDICATOR

Code No	Range (mm)	Range (inch)	Resolution (mm)	Resolution (inch)	Bezel Diameter	Stem Diameter	Description
MW401-01	-	0-0.5	-	0.001	58mm	3/8" spindle dia.	Lug back
MW401-02	-	0-1.0	-	0.001	58mm	3/8" spindle dia.	Lug back
MW401-05	0-25.0	0-1.0	0.01	0.001	60mm	8mm spindle dia.	Lug back

## Digital Indicator 405 Series

### Features

Standard: Factory Standard

- Direct Inch / Metric conversion
- 58mm dial face
- Lugback and 8mm stem mountings
- Resolution 0.01mm / 0.0005"
- Absolute / Incremental reading
- Floating Zero
- Also supplied with flatback



### DIGITAL INDICATOR

Code No	Range (mm)	Range (inch)	Accuracy (mm)	Accuracy (inch)
MW405-04DB	0-12.7	0-0.5	0.02	0.0008
MW405-06DB	0-25.0	0-1.0	0.03	0.0012

## Digital Indicator 410 Series

### Features

- Functions: mm/inch conversion, Min/Max, ABS/INC, Preset, Tolerance
- 8mm/H7 clamping diameter
- Resolution 0.001mm / 0.00005"
- Floating Zero
- Analogue Display



### DIGITAL INDICATOR

Code No	Range (mm)	Range (inch)	Accuracy (mm)	Accuracy (inch)
MW410-02DF	0-12.7	0-0.5	0.008	0.0003

## Digital Indicator 415 Series

### Features

- Large LCD display
- Resolution 0.001mm / 0.00005"
- 8mm stem mounting
- Functions: mm/inch conversion, ABS/INC, Preset
- Floating zero



### DIGITAL INDICATOR

Code No	Range (mm)	Range (inch)	Accuracy (mm)	Accuracy (inch)
MW415-01	0-12.50	0-0.5	0.004	0.00015
MW415-02	0-25.0	0-1	0.005	0.0002
MW415-03	0-30.0	0-1.2	0.005	0.0002
MW415-04	0-50.0	0-2	0.006	0.00025

## Digital Absolute Indicator 430-DABS Series

### Features

- Absolute Measuring System
- RS232 Digimatic output
- CR2032 battery
- 8mm/H7 clamping diameter
- Supplied with lugback and flat back
- Functions: tolerances, mm/inch conversion, Preset, data-output
- IP54 rated



### DIGITAL ABSOLUTE INDICATOR

Code No	Range (mm)	Range (inch)	Resolution (mm)	Resolution (inch)	Accuracy (mm)	Accuracy (inch)
MW430-01DABS	12.5	0.5	0.001	0.00005	0.004	0.0002
MW430-02DABS	25.4	1.0	0.001	0.00005	0.005	0.00025
MW430-03DABS	50.8	2.0	0.001	0.00005	0.006	0.0003

### DATA CABLE

Code No	Description
MW-Y100/700USB	Data Cable-USB to suit all DABS products

## Lifting Type Thickness Gauge 455 Series

### Features

Standard: Factory Standard

- For quick measurement of thickness
- Dial indicator for accurate value reading
- Parallelism of the measuring surfaces 0.004mm



MW455-15



MW455-25

### LIFTING TYPE THICKNESS GAUGE

Code No	Range (mm)	Note	Resolution (mm)
MW455-15	0-10	Throat Depth - 0-10mm	0.01
MW455-25	0-10	Throat Depth - 0-30mm	0.01
MW455-35	0-10	Throat Depth - 0-120mm	0.01

## Lifting Type Digital Thickness Gauge 455 Series

### Features

Standard: Factory Standard

- For quick measurement of thickness
- Modern design
- Functions: mm/inch conversion, on/off, zero-setting, battery low indication
- Parallelism of the measuring surfaces <math><0.004\text{mm}</math>



### LIFTING TYPE DIGITAL THICKNESS GAUGE

Code No	Range (mm)	Note	Resolution (mm)
MW455-15D	0-10	Throat Depth - 0-30mm	0.01
MW455-25D	0-10	Throat Depth - 0-120mm	0.01

## Comparator Stands

### Features

- Hard chrome column
- Table surface is lapped
- One piece bracket for high rigidity and constant parallelism
- Adapter hole for dial gauge 8mm H7



### BOWERS COMPARATOR STANDS

Code No	Range (mm)	Overhang (mm)	Weight	Measuring Table Area	Type	Note
MW498-05	110	70	12kg	98 x 98mm	Threaded Column	Indicator sold separately



## Magnetic Indicator Stand 470 Series

### Features

- Basic type
- With powerful on/off magnetic base
- Magnetic force 80Kg / 175 LBS
- Universal model which can be used for indicators with or without lug on back plate
- Accepts dial test indicators, digital indicators and normal indicators
- Extra rigid



### MAGNETIC INDICATOR STAND

Code No	Description
MW470-01	ON/OFF Magnetic

## Magnetic Indicator Stand 475 Series

### Features

- Features fine adjustment
- With powerful on / off magnetic base
- Magnetic force 80Kg / 175lbs
- Universal model which can be used for indicators with or without lug on back plate
- Accepts dial test indicators, digital indicators and normal indicators
- Extra rigid



### MAGNETIC INDICATOR STAND

Code No	Description	Type
MW475-01	ON/OFF Magnetic	Fine Adjustment



## Magnetic Snake Stand 496 Series

### Features

- Corrosion resistant chrome plated flex arm
- Magnetic force 40kg / 85lbs
- Holds rigidly in almost any position
- V -base for mounting on rounded surfaces



### MAGNETIC SNAKE STAND

Code No	Description	Type
MW496-01	Snake Stand	Mechanical Lock

## Magnetic Hydraulic Stand 485 Series

### Features

- Features a unique hydraulic central lock for all arms and swivel positions
- Super solid model
- With fine adjustment
- With powerful on/off magnetic base
- Magnetic force 80Kg / 175lbs
- Universal model which can be used for indicators with or without lug on back plate
- Accepts dial test indicators, digital indicators and normal indicators
- Dovetail groove for clamping a dial test indicator
- Super rigid



### MAGNETIC HYDRAULIC STAND

Code No	Description	Type
MW485-01	ON/OFF Magnetic	Hydraulic lock, dovetail groove

## Magnetic Articulating Stand 477 Series

### Features

- Versatile magnetic base that can be adjusted in almost unlimited ways
- With fine adjustment
- 30kg clamp force
- V -base for mounting on rounded surfaces



### MAGNETIC ARTICULATING STAND

Code No	Description	Type
MW477-01	Articulating arm magnetic base	Fine Adjustment

## Mini Magnetic Base 497 Series

### Features

- 1 universal ball socket
- Microfine adjustment screw
- Dovetail mounting
- Chuck adapter



### MINI MAGNETIC BASE

Code No	Description
MW497-01	Mini mag base
MW497-SET1	Mini mag base with MW420-04 DTI

## Magnetic Base and Indicator Set

### Features

- Combined set for extra value
- Includes MW475-01 magnetic base with fine adjustment and MW400-06 0-10mm/0.01mm dial indicator



### MAGNETIC BASE AND INDICATOR SET

Code No	Description
MW475-SET1	Magnetic base with MW400-06 dial indicator

## Magnetic Base and Indicator Set

### Features

- Combined set for extra value
- Includes MW475-01 magnetic base with fine adjustment and MW405-04DB 0-12.5mm/0.01mm digital indicator



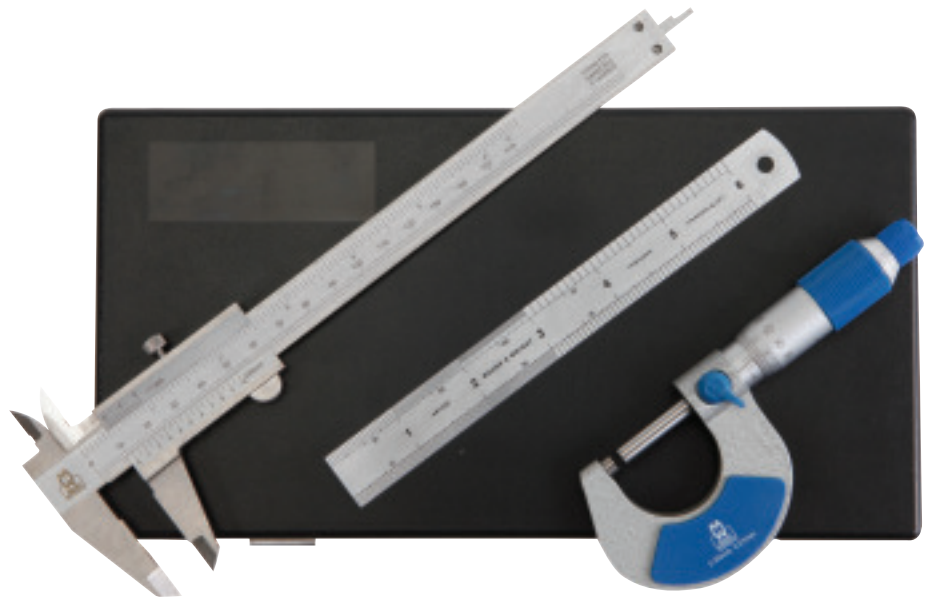
### MAGNETIC BASE AND INDICATOR SET

Code No	Description
MW475-SET2	Magnetic base with MW405-04DB digital indicator

## Micrometer, Vernier Caliper and Engineers' Rule Set

### Features

- Combined set for extra value
- Includes MW200-01, 0-25mm micrometer, MW110-15 Vernier caliper and ER106F 150mm / 6" rule



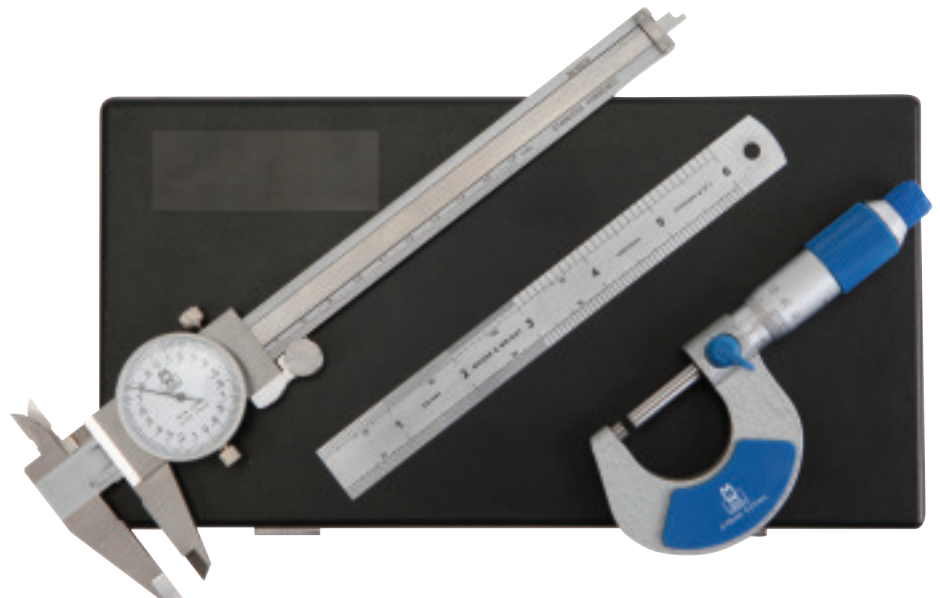
### ENGINEERS' SET

Code No	Description
MW200-SET1	Micrometer, Vernier Caliper and Engineers' Rule Set

## Micrometer, Dial Caliper and Engineers' Rule Set

### Features

- Combined set for extra value
- Includes MW200-01, 0-25mm micrometer, MW141-15 dial caliper and ER106F 150mm / 6" rule



### ENGINEERS' SET

Code No	Description
MW200-SET2	Micrometer, Dial Caliper and Engineers' Rule Set

## Digital Workshop Engineers' Set

### Features

- Combined set for extra value
- Includes MW200-01DBL Digital micrometer and MW110-15DBL Digital caliper



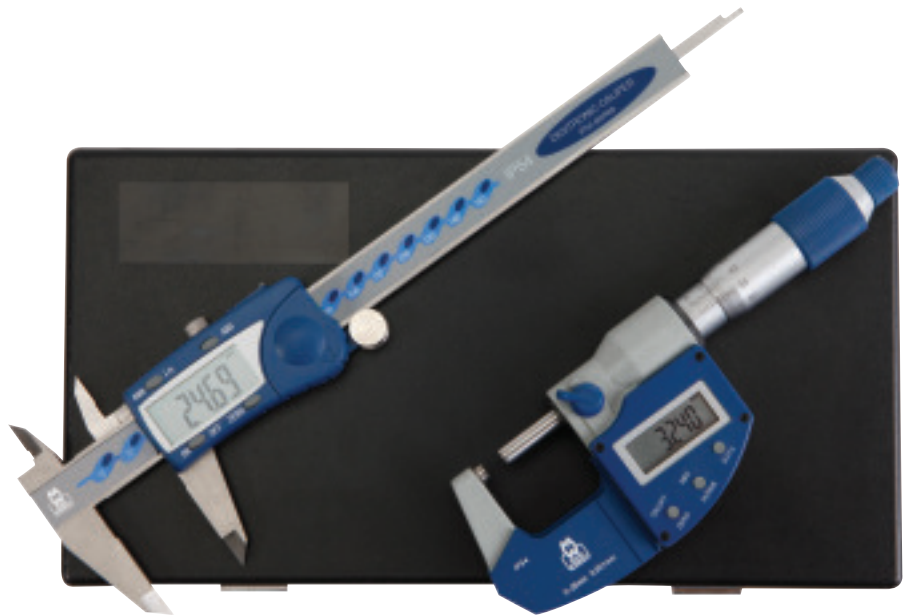
### DIGITAL WORKSHOP ENGINEERS' SET

Code No	Description
MW200-SET3	Workshop Digital Micrometer and Caliper Set

## Digital IP54 Engineers' Set

### Features

- Combined set for extra value
- Includes MW201-01DAB Digital micrometer and MW110-15WR Digital caliper



### DIGITAL IP54 ENGINEERS' SET

Code No	Description
MW200-SET4	IP54 Digital Micrometer and Caliper Set



## Carpenters' Square

### Features

- Steel base and ergonomic design for ease of use
- Allows positive location and clamping
- Offers fixed angles: 45°, 90°
- With mini carbide scriber and level vial
- Squareness within 0.2mm / 300mm
- in/mm ruler



### CARPENTERS' SQUARE

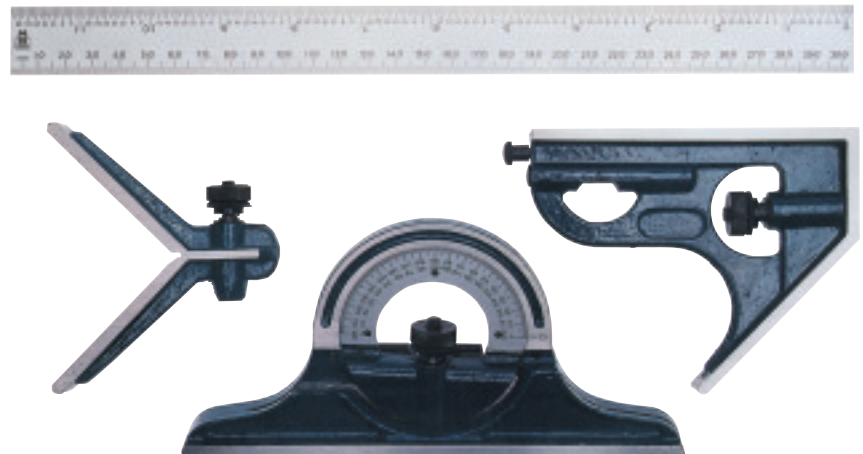
Code No	Length (mm)	Length (inch)	Graduation (mm)	Graduation (inch)
MW525-01	300	12	1.0	1/32

## Basic Combination Set 520 Series

### Features

Standard: Factory Standard

- Three measuring heads are attached to the stainless steel ruler, allowing versatile measurements on various types of work pieces
- Square head, protractor head and centrehead
- For various measuring and marking applications
- Hardened and ground slide ways
- Stainless steel rule with engraved graduations



### BASIC COMBINATION SET

Code No	Range	Note
MW520-01	180°	Items in set - 4

\* Metric and inch scale rule

## Workshop Combination Set 521 Series

### Features

- Three measuring heads are attached to the stainless steel ruler, allowing versatile measurements on various types of work pieces
- Square head, protractor head and centre head
- For various measuring and marking applications
- Hardened and ground slide ways
- Stainless steel rule with engraved graduations; one side metric, one side imperial



### WORKSHOP COMBINATION SET

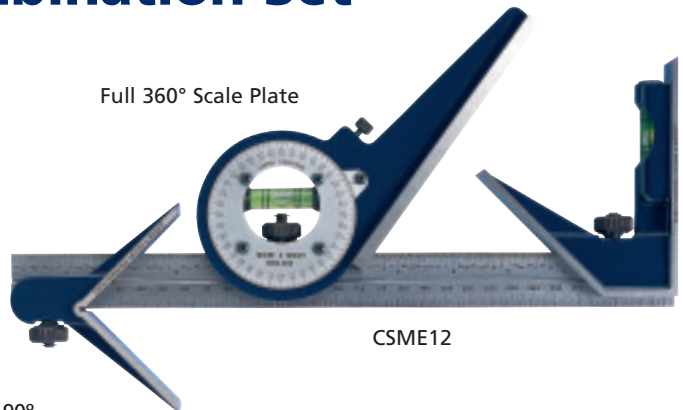
Code No	Range	Description
MW521-01	180°	4 items in set

## Traditional Precision Combination Set - CSM300

### Features

- Fully hardened and tempered precision rules with deeply etched graduations on both sides for ease of reading and long life
- Fully hardened and ground datum faces to resist wear
- Centrally mounted protractor vial allows unrestricted viewing
- Protractor has full 360° scale plate, graduated 0 - 180° - 0
- Satin chrome scale plate on protractor
- Unique rule clamp allows positive location and clamping
- Square head offers the following fixed angles: 15°, 30°, 45°, 60°, 75° & 90°
- Centre head offers a fixed 90° angle, for finding the centre of round bar stock up to 120mm diameter
- Clipped corner on rule to maximise capability

Full 360° Scale Plate



CSME12

### METRIC PRECISION COMBINATION SETS & RULES

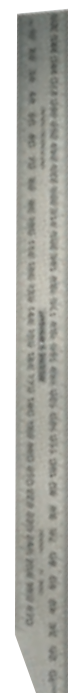
Code No	Application Range	Description
CSM300	Precision Combination Set	Full set including 300mm rule (graduated both sides), Protractor head, Square head and Centre head
CSRM300	Rule, 300mm	mm and 0.5mm on both sides; numbered every 10mm
CSRM600	Rule, 600mm	mm and 0.5mm on both sides; numbered every 10mm

### METRIC / IMPERIAL PRECISION COMBINATION SETS & RULES

Code No	Application Range	Description
CSME12	Precision Combination Set	Full set inc. 300mm / 12" rule, Protractor head, Square head & Centre head
CSRME12	Rule, 300mm / 12"	Metric graduations: in 0.5mm, numbered every 10mm. Imperial graduations: 32nds and 64ths numbered every 1/8"
CSRME24	Rule, 600mm / 24"	Metric graduations: in 0.5mm, numbered every 10mm. Imperial graduations: 32nds and 64ths numbered every 1/8"

### PRECISION COMBINATION SET ACCESSORIES

Code No	Application Range	Description
CSPRO	Protractor head	Supplied as standard with CSM300 & CSME12 traditional precision combination sets
CSSH	Square head	Supplied as standard with CSM300 & CSME12 traditional precision combination sets
CSCH	Centre head	Supplied as standard with CSM300 & CSME12 traditional precision combination sets
RPCSCS-5	Replacement rule clamp screw	Supplied as standard with CSM300 & CSME12 traditional precision combination sets



CSRME12



RPCSCS-5

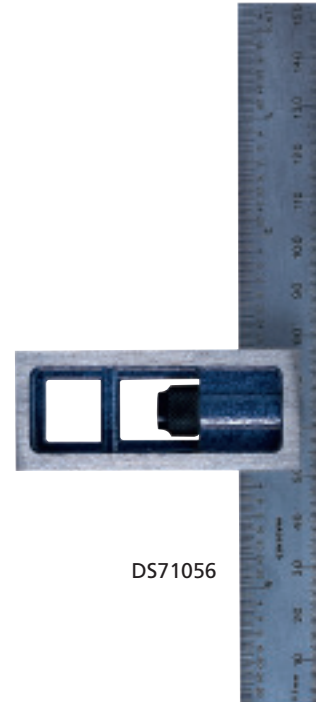


## Sliding 'T' Squares

Practical time saving tool for many marking-out applications. Suitable for use as a parallel or as a double square.

### Features

- Working surfaces of the stock are ground
- The blade is hardened, tempered and has a satin chrome finish



### METRIC SLIDING T SQUARES

Code No	Length (mm)	Graduation	Stock Length (mm)
DS71041	100	1mm, 0.5m	62
DS71051	150	1mm, 0.5m	62

### METRIC / IMPERIAL SLIDING T SQUARES

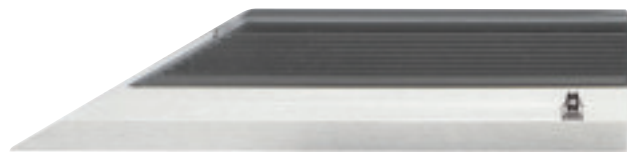
Code No	Length (mm)	Length (inch)	Graduation	Stock Length (mm)
DS71044	100	4	0.5mm, 1mm	62
DS71056	150	6	0.5mm, 1mm	62

## Engineers' Rule 900 Series

### Features

Standard: DIN 874 Grade 00

- Made of hardened alloy steel
- Precision ground and micro-lapped
- Knife-form with angle of 30°
- Packed individually in leather-look bag



### ENGINEERS' RULE

Code No	Length (mm)
MW900-01	50
MW900-02	75
MW900-03	100
MW900-04	125
MW900-05	150
MW900-07	300
MW900-06	200
MW900-08	400

## Traditional Engineers' Square

### Features

Standard: To BS939 / Grade B

- Precision ground blade and stock
- Blind rivetted construction
- Hardened and tempered blades
- Supplied boxed

### WORKSHOP SQUARE: Grade B

Code No	Blade Length (mm)	Blade Length (inch)	Approx. Stock Length (mm) (inside face)
4003	75	3	49
4004	100	4	56
4006	150	6	82
4009	225	9	108
40012	300	12	139



## Precision Engineers' Square

### Features

Standard: DIN 875 Grade 0

- Made of heat treated steel
- Precision ground and micro-lapped
- 2 knife-form sides with angle of 40°

### ENGINEERS' SQUARE

Code No	Description
MW910-01	40 x 30mm
MW910-02	50 x 40mm
MW910-03	75 x 50mm
MW910-04	100 x 70mm
MW910-05	150 x 100mm
MW910-06	200 x 130mm



## Traditional Protractor BPRO Series

Suitable for the measurement and marking out of angles. The Moore & Wright bevel protractor can be set to any angle. An optional acute angle attachment allows the user to quickly measure both wafer thin and broad wedge shaped components.

### Features

Standard: Factory Standard

- Resolution of 5 arc minutes (1/12 degree)
- Fully hardened and ground stainless steel body
- Top mounted adjuster for fine setting whilst the unit is on a flat surface
- Choice of blade lengths
- Locking lever fitted for ease of blade insertion and positive clamping
- Bevelled blade ends to facilitate working in awkward corners
- Scale plate is graduated 0 - 90° - 0, in both directions through 360°
- Satin chrome plated scale for glare free readings
- Magnifying lens for clear easy reading of the flush scale, preventing parallax errors



### TRADITIONAL PROTRACTOR

Code No	Description
BPRO6	Basic Set - Protractor body and 150mm blade
BPRO	Full Set - Protractor body, 150mm & 300mm blades, and acute angle attachment
BP12RULE	300mm - Blade Supplied as standard with full set
AAA	Acute Angle - Attachment (Supplied as standard with full set)

## Universal Bevel Protractor 500 Series

### Features

- Made of high quality hardened and ground stainless steel
- High precision satin chromed scale
- Minimum reading 5 minutes
- Magnifying glass for easy reading
- With fine adjustment and acute angle attachment
- 300mm / 12" and 150mm / 6" rule
- Packed as set in plastic box



### UNIVERSAL BEVEL PROTRACTOR SET

Code No	Range
MW500-01	360°

## Indicator Bevel Protractor

### Features

- Features high quality indicator
- Made of high quality hardened and ground stainless steel
- High precision satin chromed scale
- Minimum reading 5 minutes
- With fine adjustment and acute angle attachment
- 300mm / 12" rule and 150mm / 6" rule
- Packed as set in plastic box



### INDICATOR BEVEL PROTRACTOR

Code No	Range
MW510-01	360°

## Digital Protractor

### Features

- 360° measuring range (4 x 90°)
- Manufactured from stainless steel
- Displays in deg/min/sec and decimal
- Resolution 30"
- Accuracy +/- 5'
- Fine adjustment
- Supplied with 150mm, 200mm and 300mm blades
- Supplied with acute angle attachment
- Battery CR2032



### DIGITAL PROTRACTOR

Code No	Range
MW500-01D	360°

## Digital Protractor

### Features

- Large LCD display
- Strong magnets on all blade edges
- Easy-to-use and strong lock device
- Hold function
- Reversible reading
- Accuracy:  $\pm 0.2^\circ$



### DIGITAL PROTRACTOR

Code No	Size	Range	Resolution
MW505-01	100mm / 4"	360°	0.05°
MW505-02	200mm / 8"	360°	0.05°
MW505-03	300mm / 12"	360°	0.05°

## Digital Angle Rule

### Features

- Large LCD display
- Easy-to-use and strong lock device
- Inside and outside angle measuring
- Hold function
- Reversible reading
- Stainless steel rule blades with mm scale



### DIGITAL ANGLE RULE

Code No	Range (mm)	Resolution
MW506-01	200	0.05°
MW506-02	300	0.05°

## Angle Meter 946 Series

### Features

- Made of tool steel
- Satin chromed, engraved scale
- Robust and durable



### METRIC ANGLE METER READINGS

Code No	Length (mm)	Diameter of Scale (mm)
MW946-01	120	80
MW946-02	150	120
MW946-03	200	150
MW946-04	300	200

## Traditional Depth Gauge

### Depth Gauge:

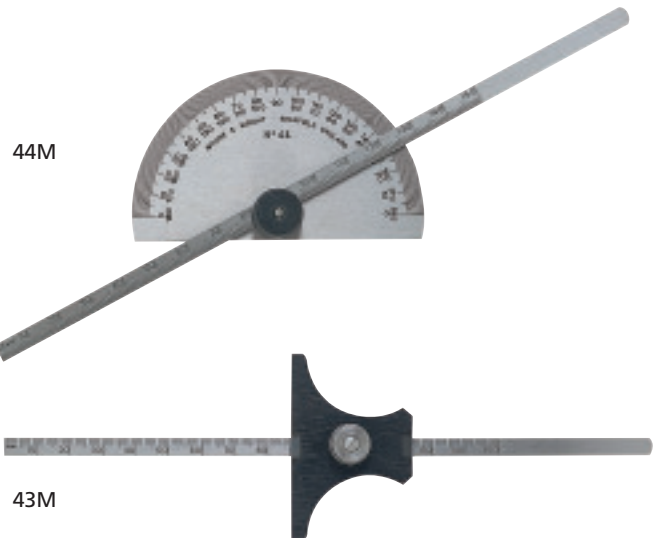
- Available with either reversible base or protractor
- Full range rule adjustment
- Readings can be fixed by means of a locknut
- Rules graduated on both sides
- Metric scales front face graduations 0.5mm, 1.0mm
- Metric scales rear face graduations 1.0mm
- Metric / Imperial scales front face graduations 1/32nd
- Metric / Imperial scales rear face graduations 1.0mm
- Length of blade 195mm / 7.68"

### Reversible Base Type:

- Accurately ground top and bottom faces allow base to be reversed, for use in confined spaces

### Protractor Type:

- Protractor plate is graduated 0° - 180° - 0° degrees
- Scale resolution 1/2 degree



### METRIC DEPTH GAUGE 0-150MM

Code No	Description	Width (mm)	Thickness	Size of Base
43M	Reversible Base	5.5	1.0mm	18mm, 56mm, 0.71", 2.21"
44M	Protractor	5.5	1.0mm	79mm

### METRIC / IMPERIAL DEPTH GAUGE 0-150MM / 0-6"

Code No	Description	Width (mm)	Width (inch)	Thickness	Size of Base
43	Reversible Base	5.5	0.22	1.0mm / 0.04"	18mm, 56mm, 0.71", 2.21"
44	Protractor	5.5	0.22	1.0mm / 0.04"	79mm / 3.11"



## Traditional (Hermaphrodite) Calipers

### Firm Joint Adjustable Point:

- Manufactured from polished tool steel
- A large headed nut and screw assembly provides a firm and rigid friction joint, with no play
- The sizes listed are the effective leg length which is measured from the joint assembly
- Leg which holds the round adjustable hardened point is offset
- Model 341 has a locating spur on the straight leg

Note: Firm joint caliper capacities are generally 1/3 greater than the effective leg length.

### Spring Joint:

- Manufactured from polished tool steel
- The marking leg is hardened to over 550Hv at the point
- Bow spring ensures uniform tension over working range
- Centrally mounted adjustment screw offers finer setting than firm joint type



### METRIC / IMPERIAL (HERMAPHRODITE) CALIPERS

Code No	Size	Pack Quantity	Description
341	125mm / 5"	5	Firm Joint
336-6	150mm / 6"	5	Firm Joint
56	150mm / 6"	5	Spring Joint

## Traditional Inside & Outside Calipers

Standard: BS3123

### Outside & Inside Calipers, Firm Joint:

- Manufactured from polished tool steel
- A large headed nut & screw assembly provides a firm & rigid friction joint, with no play
- The sizes listed are the effective leg length which is measured from the joint assembly

Note: Firm joint caliper capacities are generally 1/3 greater than the effective leg length.

### Outside Calipers, Spring Joint:

- Bow spring ensures uniform tension over working range
- Centrally mounted adjustment screw offers finer setting, than firm joint type

### Inside Calipers, Spring Joint:

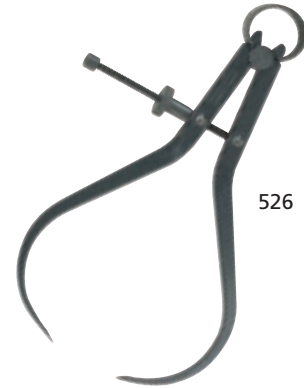
- Bow spring ensures uniform tension over working range
- Centrally mounted adjustment screw
- Manufactured from polished tool steel

Note: Firm joint caliper capacities are generally 1/3 greater than the effective leg length.

### Spring Dividers:

- Manufactured from polished tool steel
- Points are hardened to over 550Hv
- Bow spring ensures uniform tension over working range
- Centrally mounted adjustment screw

Note: The nominal size is the distance between the centre of the roller and the working ends of the legs.



#### INSIDE CALIPERS FIRM JOINT

Code No	Size	Pack Quantity
3306	150mm / 6"	5
3308	200mm / 8"	1
33012	300mm / 12"	1

#### OUTSIDE CALIPERS FIRM JOINT

Code No	Size	Pack Quantity
3316	150mm / 6"	5
3318	200mm / 8"	1
33112	300mm / 12"	1
33118	450mm / 18"	1
33124	600mm / 24"	1

#### DIVIDERS & INSIDE / OUTSIDE CALIPERS SPRING JOINT

Code No	Description	Code No	Description	Code No	Description	Size	Pack Quantity
503	Dividers	513	Inside	523	Outside	75mm / 3"	5
504	Dividers	514	Inside	524	Outside	100mm / 4"	5
506	Dividers	516	Inside	526	Outside	150mm / 6"	5
508	Dividers	518	Inside	528	Outside	200mm / 8"	1
5010	Dividers	5110	Inside	5210	Outside	250mm / 10"	1
5012	Dividers	5112	Inside	5212	Outside	300mm / 12"	1

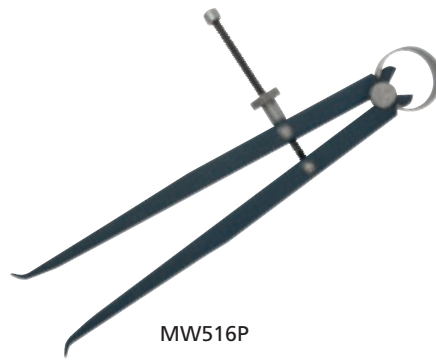
## Powder Coated Calipers & Dividers

### Features

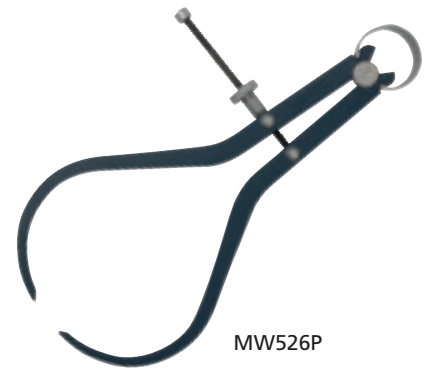
- Powder coated steel for extra durability
- Sizes listed are the effective leg length which is measured from the joint assembly



MW506P



MW516P



MW526P

### POWDER COATED CALIPERS & DIVIDERS

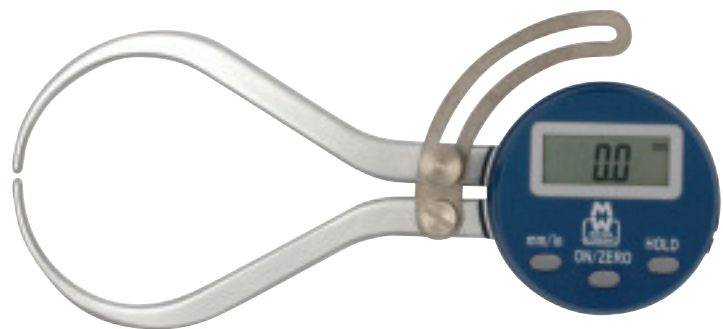
Code No	Description	Code No	Description	Code No	Description	Size
MW504P	Dividers	MW514P	Inside Calipers	MW524P	Outside Calipers	100mm / 4"
MW506P	Dividers	MW516P	Inside Calipers	MW526P	Outside Calipers	150mm / 6"
MW5012P	Dividers	MW5112P	Inside Calipers	MW5212P	Outside Calipers	300mm / 12"

## Digital Inside / Outside Calipers

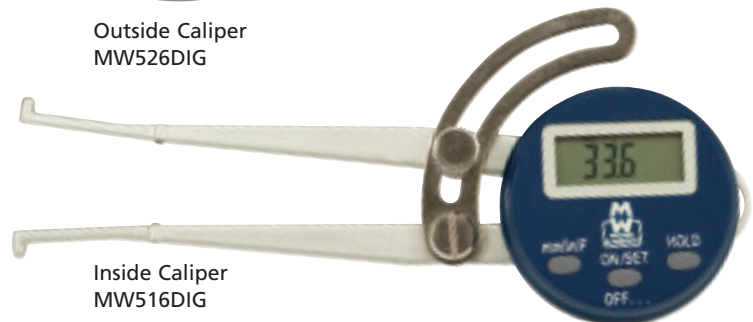
### Features

Standard: Factory Standard

- Large LCD display
- Spring-loaded travel
- Alloy jaws, chrome finished
- Reading: inch/metric



Outside Caliper  
MW526DIG



Inside Caliper  
MW516DIG

### DIGITAL INSIDE / OUTSIDE CALIPERS

Code No	Range (mm)	Range (inch)	Resolution (mm)	Resolution (inch)
MW516DIG	12.7-150	0.5-6	0.1	0.005
MW526DIG	0-150	0-6	0.1	0.005

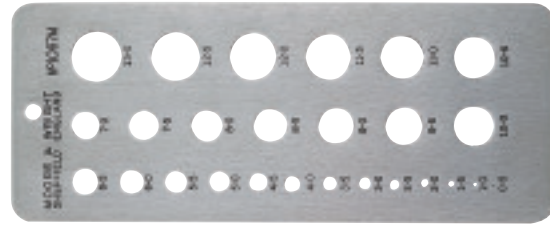
## Traditional Drill & Standard Wire Gauges

### Drill Gauges:

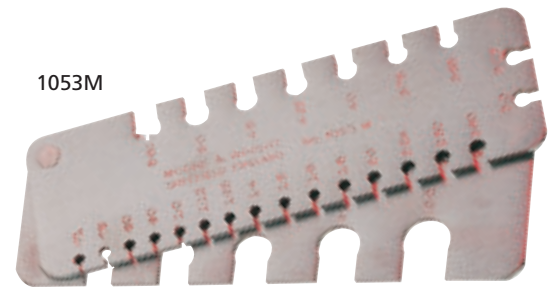
- Made from high grade tool steel, with a brushed finish
- Marked with nominal size of each hole

### Standard Wire Gauges:

- Two part space saving design, with corner pivot
- Marked with nominal size of each slot
- Made from high grade tool steel, with a brushed finish
- 1067M & 1053M available in Retail Packs (page 248)



1067M



1053M

#### METRIC STANDARD WIRE GAUGES

Code No	No. of Holes	Range of Slot Size
1053M	40	0.2-10.0mm

#### IMPERIAL STANDARD WIRE GAUGES

Code No	No. of Holes	Range of Slot Size
1052	36	1-36 SWG

#### METRIC DRILL GAUGES

Code No	No. of Holes	Range of Hole Size	Graduation (mm)
1067M	26	0.5-13.0mm	0.5
1066M	96	0.5-10.0mm	0.1

## Traditional Surface Gauges

### Universal type:

- Designed for precise marking out operations
- Hardened and tempered steel base, ground on one end and bottom face
- Vee groove for locating on cylindrical workpieces
- Two retractable locating pins
- Radial grooves in the side facilitate comfortable handling
- One handed fine adjustment
- Supplied with two interchangeable pillars and one 4mm diameter scriber

Note: Surface gauges can be used for mounting dial test indicators with either a 4mm or 6.35mm (1/4") mounting spigot.



#### METRIC / IMPERIAL SURFACE GAUGES

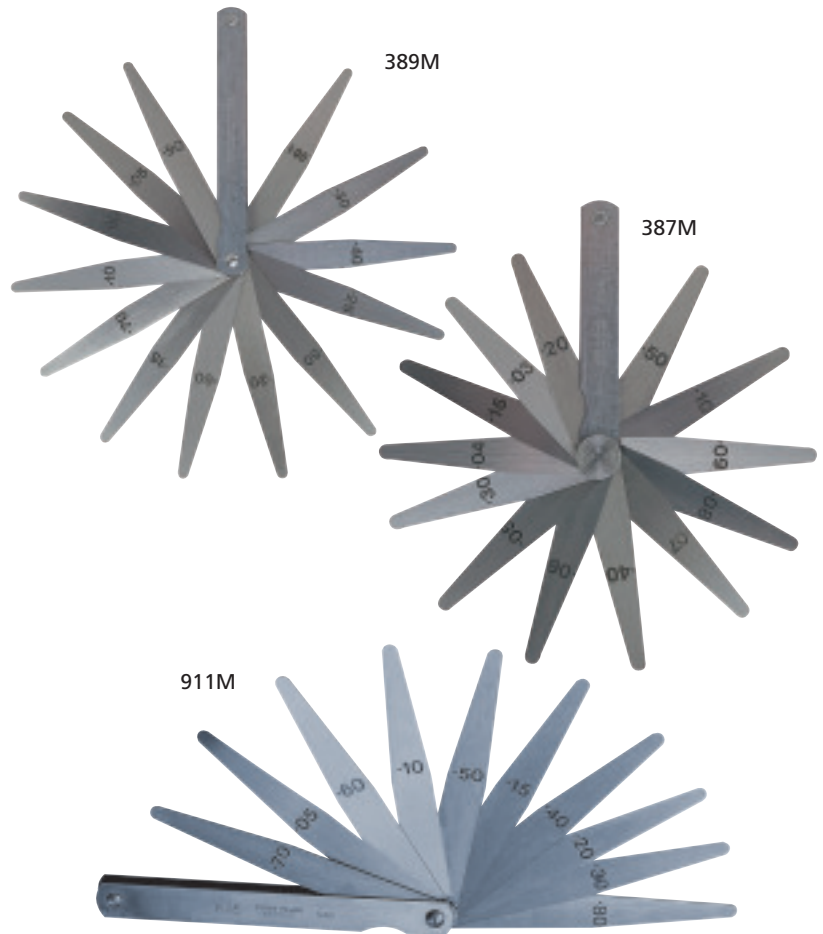
Code No	Description	Size of Base	Height (mm)	Height (inch)
E101B	Universal	80 x 65mm, 3 1/8 x 2 1/2"	225 & 300	9 & 12
E102B	Universal	105 x 85mm, 4 1/8 x 3 3/8"	300 & 450	12 & 18

## Traditional Feeler Gauge Set - Precision Range

### Precision Range:

Complies with DIN 2275

- All blades are hardened, tempered and polished
- Nominal thickness marked on each blade
- Replacement blades available
- 3" / 75mm & 4" / 100mm available in Retail Pack



### Safe and Sure® Range:

- An economical range of feeler sets for general workshop use
- All blades are hardened, tempered and polished
- Nominal thickness marked on each blade

#### IMPERIAL PRECISION RANGE

Code No	Length (inch)	No. of Blades	Thickness x 0.001"	Width (inch)	Locking Screw
1243	3	10	1.5, 2, 3, 4,	0.5	No
132	4	10	6, 8, 10, 12,	0.5	No
1246	6	10	15, 25	0.5	No
12412	12	10		0.5	No
492	3	15	1.5, 2, 2.5, 3, 4,	0.5	No
493	4	15	5, 6, 7, 8, 9, 10, 12, 15, 20, 25	0.5	No
12	3	26	1.5, 2, 2.5, 3, 4, 5, 6, 7, 8, 9, 10, 11, 12, 13, 14, 15, 16, 17, 18, 19, 20, 21, 22, 23, 24, 25	0.5	No

#### METRIC PRECISION RANGE

Code No	Length (mm)	No. of Blades	Thickness x 0.01mm	Width (mm)	Locking Screw
387M	75	13	3, 4, 5, 6, 7, 8,	12.7	Yes
388M	100	13	9, 10, 15, 20, 30, 40, 50	12.7	Yes
389M	100	13	5, 10, 15, 20,	12.7	No
394M	150	13	25, 30, 40, 50,	12.7	No
398M	300	13	60, 70, 80, 90, 100	12.7	Yes
391M	75	11	5, 10, 15, 20, 25, 30, 40, 50, 60, 70, 80	12.7	No
393M	75	20	5, 10, 15, 20,	12.7	No
390M	100	20	25, 30, 35, 40,	12.7	No
395M	150	20	45, 50, 55, 60,	12.7	No
399M	300	20	65, 70, 75, 80, 85, 90, 95, 100	12.7	Yes

#### IMPERIAL SAFE AND SURE® RANGE

Code No	Length (inch)	No. of Blades	Thickness x 0.001"	Width (inch)	Locking Screw
912	3	10	0.0015-0.025	0.5	No
911	4	10	0.0015-0.025	0.5	No
1106	6	10	0.0015-0.025	0.5	No
1112	12	10	0.0015-0.025	0.5	No

#### METRIC SAFE AND SURE® RANGE

Code No	Length (mm)	No. of Blades	Thickness x 0.01mm	Width (mm)	Locking Screw
912M	75	10	0.05-0.8	12.7	No
911M	100	10	0.05-0.8	12.7	No
1106M	150	10	0.05-0.8	12.7	No
1112M	300	10	0.05-0.8	12.7	No

## Feeler Strip 126M Series

### Features

Complies with DIN 2275

- Hardened, tempered and polished steel strip
- Nominal thickness is marked on each strip
- Pack quantity 10



126M003

### METRIC 0.03-0.60MM

Code No	Thickness x 0.01mm	Length (mm)	Width (mm)
126M003	3	300	12.7
126M004	4	300	12.7
126M005	5	300	12.7
126M006	6	300	12.7
126M007	7	300	12.7
126M008	8	300	12.7
126M009	9	300	12.7
126M010	10	300	12.7
126M015	15	300	12.7
126M020	20	300	12.7
126M025	25	300	12.7
126M030	30	300	12.7
126M035	35	300	12.7
126M040	40	300	12.7
126M045	45	300	12.7
126M050	50	300	12.7
126M055	55	300	12.7
126M060	60	300	12.7

### IMPERIAL 0.001-0.025"

Code No	Thickness x 0.001"	Length (inch)	Width (inch)
1260001	1	12	0.5
12600015	1.5	12	0.5
1260002	2	12	0.5
12600025	2.5	12	0.5
1260003	3	12	0.5
1260004	4	12	0.5
1260005	5	12	0.5
1260006	6	12	0.5
1260007	7	12	0.5
1260008	8	12	0.5
1260009	9	12	0.5
1260010	10	12	0.5
1260011	11	12	0.5
1260012	12	12	0.5
1260013	13	12	0.5
1260014	14	12	0.5
1260015	15	12	0.5
1260016	16	12	0.5
1260017	17	12	0.5
1260018	18	12	0.5
1260019	19	12	0.5
1260020	20	12	0.5
1260021	21	12	0.5
1260022	22	12	0.5
1260023	23	12	0.5
1260024	24	12	0.5
1260025	25	12	0.5

## Feeler Strip Sets

### Features

Complies with DIN 2275

- 20 piece feeler strip in wallet
- Hardened, tempered and polished steel strip
- Nominal thickness is marked on each strip
- Imperial Set: Length 6", Range 1-25 Thou
- Metric Set: Length 150mm, Range 0.03 to 1.00mm

### FEELER STRIP SETS

Code No	Range
FS20M	Metric 20 Piece Feeler Strip Set
FS20E	Imperial 20 Piece Feeler Strip Set



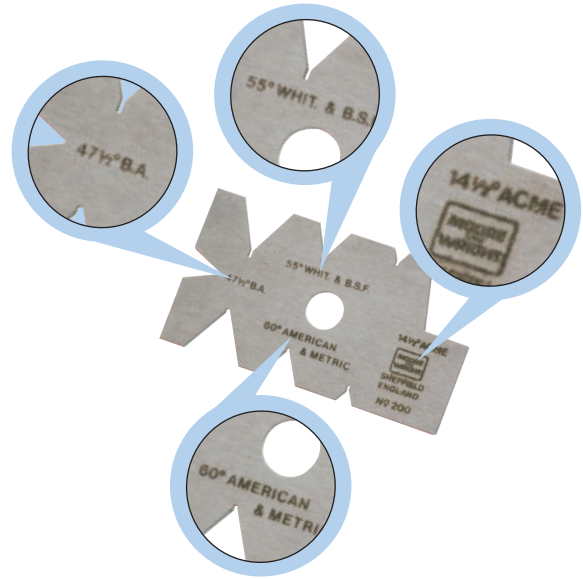
FS20M



## Traditional Screw Cutting Gauges

### Features

- Traditional Engineers' screw cutting gauge
- Suitable for most standard metric and imperial thread forms
- Accurately milled angles for precise evaluation of thread form
- Sold in packs of 10 only



### SCREW CUTTING GAUGE

Code No	Description	Pack Quantity
200	Thread form: SI, ISO, US Std. 60°. Thread form: Whitworth 55°. Thread form: British Association (BA). 47.5°. Thread form: ACME. 14.5°.	10

## Traditional Radius Gauges

### Features

- Accurately milled steel blades
- Designed to check both internal and external radii
- Marked with nominal size on each blade
- Mounted either on a ring or in a steel sleeve



206M



204M

### METRIC: Radius Gauges, 0.75-13mm

Code No	Range (mm)	Graduation (mm)	No. of Blades	Description
204M	0.75-5	0.25	18	Ring
206M	0.75-5	0.25	18	Sleeve
204MA	5.5-13	0.5	16	Ring
206MA	5.5-13	0.5	16	Sleeve

### IMPERIAL: Radius Gauges, 1/32-33/64"

Code No	Range (inch)	Graduation (inch)	No. of Blades	Description
204	1/32 - 17/64	1/64	16	Ring
206	1/32 - 17/64	1/64	16	Sleeve
204A	9/32 - 33/64	1/64	16	Ring
206A	9/32 - 33/64	1/64	16	Sleeve

## Traditional Screw Pitch Gauges MW800 Series

### Features

- Accurately milled steel blades
- Designed to check both internal and external thread forms
- Marked with nominal size on each blade
- All blades fixed in a steel sleeve
- Screw cutting gauge included

Note: SI (System International) metric blades should not be used to check ISO (International Standards Organisation) metric threads due to interference of the thread forms; but ISO metric blades can be used to check SI metric threads.



### COMBINED METRIC & IMPERIAL: Screw Pitch Gauges

Code No	Description	No. of Blades	Threads per mm	Note
804	S.I. Metric & Whitworth	49	Metric: 0.4, 0.5, 0.7, 0.75, 0.8, 0.9, 1.0, 1.25, 1.50, 1.75, 2.0, 2.5, 3.0, 3.5, 4.0, 4.5, 5.0, 5.5, 6.0, 6.5, 7.0 Imperial: 4, 4.5, 5, 6, 7, 8, 9, 10, 11, 12, 13, 14, 16, 18, 19, 20, 22, 24, 25, 26, 28, 30, 32, 36, 40, 48, 60	Screw Cutting Gauge included 60 degrees and 55 degrees

### METRIC: Screw Pitch Gauges

Code No	Description	No. of Blades	Threads per mm	Note
801	S.I. Metric	30	0.25, 0.3, 0.35, 0.4, 0.45, 0.5, 0.55, 0.6, 0.65, 0.7, 0.75, 0.8, 0.85, 0.9, 1.0, 1.1, 1.2, 1.25, 1.3, 1.4, 1.5, 1.6, 1.7, 1.75, 1.8, 1.9, 2.0, 2.5, 3.0	Screw Cutting Gauge included 60 degrees
809	ISO Metric	22	0.35, 0.4, 0.45, 0.5, 0.6, 0.7, 0.75, 0.8, 1.0, 1.25, 1.5, 1.75, 2.0, 2.5, 3.0, 3.5, 4.0, 4.5, 5.0, 5.5, 6.0	Screw Cutting Gauge included 60 degrees

### IMPERIAL: Screw Pitch Gauges

Code No	Description	No. of Blades	Threads per mm	Note
799	American National	30	4, 4.5, 5, 5.5, 6, 7, 8, 9, 10, 11, 11.5, 12, 13, 14, 15, 16, 18, 20, 22, 24, 26, 27, 28, 30, 32, 34, 36, 38, 40, 42	n/a
800	Whitworth	28	4, 4.5, 5, 6, 7, 8, 9, 10, 11, 12, 13, 14, 16, 18, 19, 20, 22, 24, 25, 26, 28, 30, 32, 36, 40, 48, 60	Screw Cutting Gauge included 55 degrees
806	Unified	30	4, 4.5, 5, 5.5, 6, 7, 8, 9, 10, 11, 11.5, 12, 13, 14, 15, 16, 18, 20, 22, 24, 26, 27, 28, 30, 32, 34, 36, 38, 40, 42	n/a

## Traditional Engineers' Level

### Features

- Main vial sensitivity of 1 minute
- Each level is fitted with a main, cross and plumb vial
- Main vial protected by rotating shroud
- Vial solution maintains colour and fluidity under all workshop conditions
- Precision ground cast base with vee groove for location on cylindrical work



### METRIC / IMPERIAL ENGINEERS' LEVEL

Code No	Length (mm)	Length (inch)	Width (mm)	Width (inch)	Height (mm)	Height (inch)	Resolution (mm)	Resolution (inch)
ELS	165	6.5	34	1.34	46	1.81	0.3mm per metre	0.0035" per foot

## Traditional Engineers' Level

### Features

- Main vial sensitivity of 1 minute
- Each level is fitted with a main, cross and plumb vial
- Main vial protected by rotating shroud
- Vial solution maintains colour and fluidity under all workshop conditions
- Precision ground cast base with vee groove for location on cylindrical work



### METRIC / IMPERIAL ENGINEERS' LEVEL

Code No	Length (mm)	Length (inch)	Width (mm)	Width (inch)	Height (mm)	Height (inch)	Resolution (mm)	Resolution (inch)
ELM	310	12	36	1.42	58	2.28	0.3mm per metre	0.0035" per foot

## Traditional Mini Level

### Features

- Ultra compact dimensions and a single vial
- Machined from a solid block of carbon steel
- Supplied on retail card



### METRIC / IMPERIAL MINI LEVELS

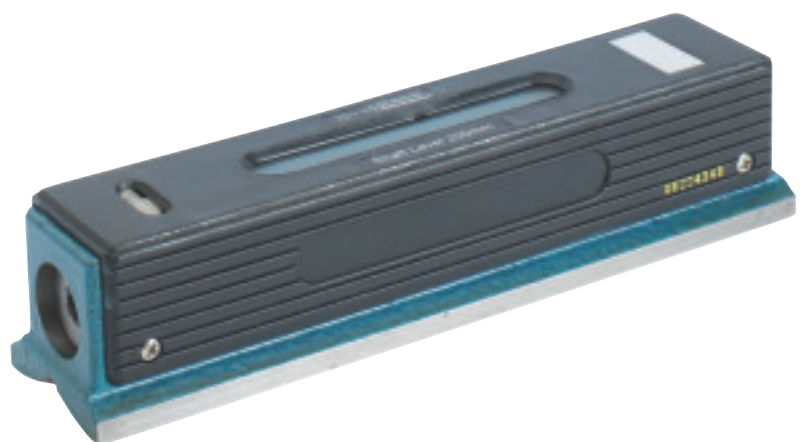
Code No	Length (mm)	Length (inch)	Width (mm)	Width (inch)	Height (mm)	Height (mm)	Accuracy (inch)
ELT-001XR	51	2.0	19	0.75	19	0.75	± 1° / 0.0035" per foot

## Engineers' Level 550 Series

### Features

Standard: Factory Standard

- With four ground measuring faces
- Features zero-point adjustment
- With V-slot on base
- Made of cast iron, solid and rigid construction
- With sub-level tube



### ENGINEERS' LEVEL

Code No	Size of Base (mm)	Sensitivity (mm/m)
MW550-03	200	0.02

## Digital Mini-Mag Level 570 Series

### Features

- Measuring range 360° (4 x 90°)
- Embedded magnets on two sides
- Resolution 0.05°
- Accuracy +/- 0.2°
- Standard 9V battery
- Dimensions: L60mm x H60mm x W35mm



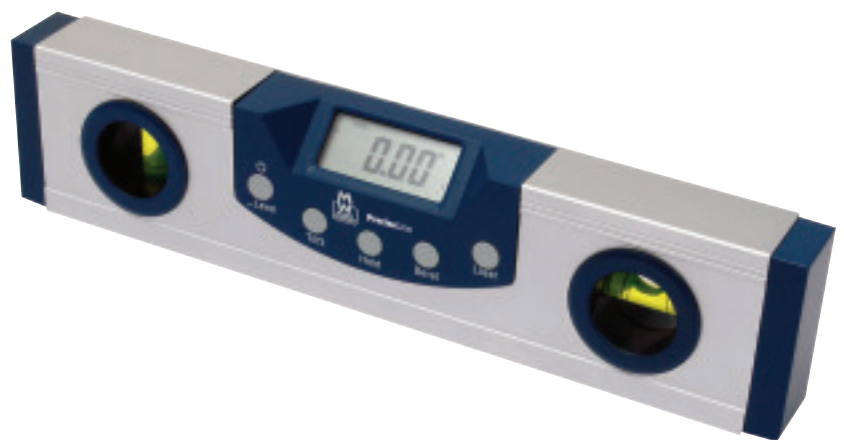
### DIGITAL MINI-MAG LEVEL

Code No	Description
MW570-01	Mini-Mag Level

## Digital Level 580 Series

### Features

- Precision navigational level sensor
- CNC machined super flat edge
- Heavy duty aluminium alloy body, chrome finish
- Laser accurately extends level capabilities
- Strong magnets on underside
- Measuring: 4x90°
- Resolution: 0.05°
- Battery: standard 9V
- Accuracy ± 0.2°



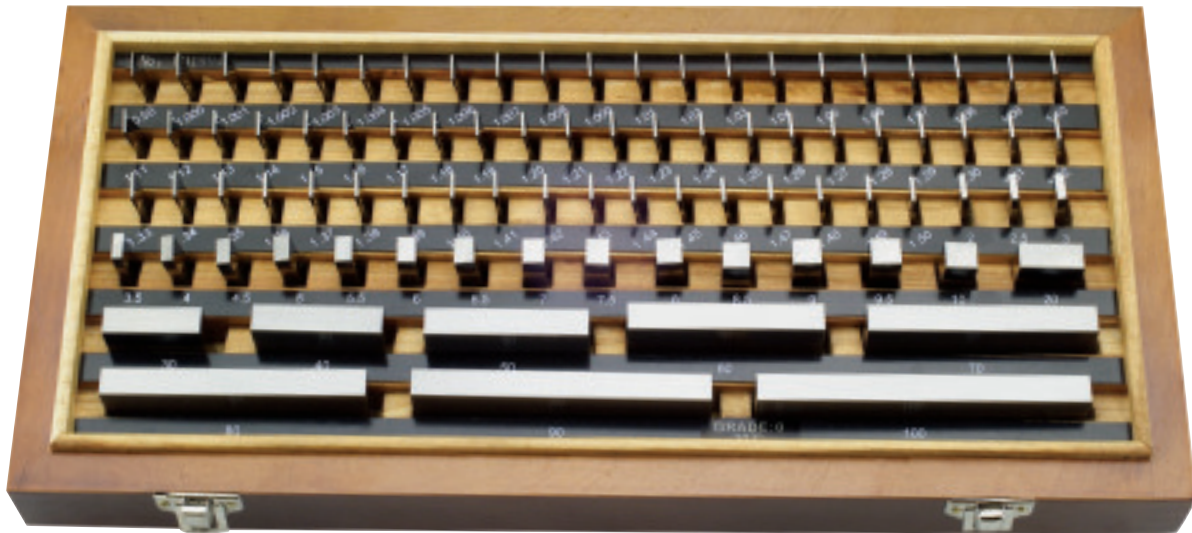
### DIGITAL LEVEL

Code No	Size	Resolution
MW580-01	150mm / 6"	0.05°
MW580-02	225mm / 9"	0.05°
MW580-03	600mm / 24"	0.05°

## Steel Gauge Blocks 700 Series

### Features

- Made from high quality stress relieved alloy steel
- Hardened to HV820 (HRC65)
- Excellent rigidity
- Size and serial number are engraved on each individual gauge block
- Available in 2 grades
  - Grade 1 for Inspection
  - Grade 2 for Workshop
- All sets have a MOORE & WRIGHT certificate
- All sets can be issued with a UKAS certificate at extra cost



### BLOCK SET CONFIGURATION

No. blocks	Nominal size	Qty	Step (mm)	No. blocks	Nominal size	Qty	Step (mm)	No. blocks	Nominal size	Qty	Step (mm)	No. blocks	Nominal size	Qty	Step (mm)
103	1.005	1		87	1.001-1.009	9	0.001	47	1.005	1		32	1.005	1	
	1.01-1.49	49	0.01		1.01-1.49	49	0.01		1.01-1.09	9	0.01		1.01-1.09	9	0.01
	0.50-24.50	49	0.5		0.50-9.50	19	0.5		1.10-1.90	9	0.1		1.10-1.90	9	0.1
	25.0-100.0	4	25		10.0-100.0	10	10		1.0-24.0	24	1		1.0-9.0	9	1
									25.0-100.0	4	25		10.0-30.0	3	10
													60.0	1	

### STEEL GAUGE BLOCK SETS

Code No	No. of Blocks	Description
MW700-02	103	Grade 1
MW700-03	103	Grade 2
MW700-05	87	Grade 1
MW700-06	87	Grade 2
MW700-08	47	Grade 1
MW700-09	47	Grade 2
MW700-11	32	Grade 1
MW700-12	32	Grade 2

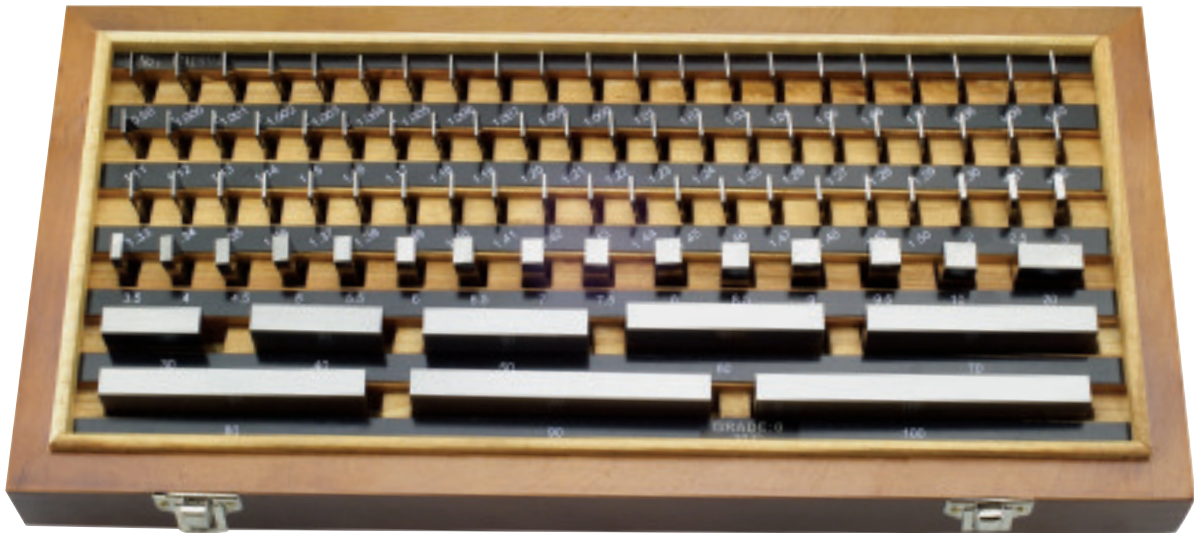


## Carbide Gauge Blocks 710 Series

### Features

Standard: DIN 861

- Made from solid carbide with high precision
- Service life is up to 6 times that of steel
- Excellent wringability due to micro polished surfaces
- Every gauge block has its own serial number
- Available in 3 grades
  - Grade 0 for calibration
  - Grade 1 for inspection
  - Grade 2 for workshop
- All sets have MOORE & WRIGHT certificate
- All sets can be issued with UKAS certificate at extra cost



### BLOCK SET CONFIGURATION

No. blocks	Nominal size	Qty	Step (mm)	No. blocks	Nominal size	Qty	Step (mm)	No. blocks	Nominal size	Qty	Step (mm)	No. blocks	Nominal size	Qty	Step (mm)
103	1.005	1		87	1.001-1.009	9	0.001	47	1.005	1		32	1.005	1	
	1.01-1.49	49	0.01		1.01-1.49	49	0.01		1.01-1.09	9	0.01		1.01-1.09	9	0.01
	0.50-24.50	49	0.5		0.50-9.50	19	0.5		1.10-1.90	9	0.1		1.10-1.90	9	0.1
	25.0-100.0	4	25		10.0-100.0	10	10		1.0-24.0	24	1		1.0-9.0	9	1
									25.0-100.0	4	25		10.0-30.0	3	10
													60.0	1	

### CARBIDE GAUGE BLOCK SETS

Code No	No. of Blocks	Description
MW710-01	103	Grade 0
MW710-02	103	Grade 1
MW710-03	103	Grade 2
MW710-04	87	Grade 0
MW710-05	87	Grade 1
MW710-06	87	Grade 2
MW710-07	47	Grade 0
MW710-08	47	Grade 1
MW710-09	47	Grade 2
MW710-10	32	Grade 0
MW710-11	32	Grade 1
MW710-12	32	Grade 2

## Mic-Check Gauge Block Set MW715 Series

### Features

Standard: DIN 861

- For the inspection of Metric Micrometers according to DIN 863
- Inspection Grade: Grade 0
- Nominal Gauge Sizes: 2.5, 5.1, 7.7, 10.3, 12.9, 15.0, 17.6, 20.2, 22.8, 25.0mm
- Optical Flat: 30mm diameter, 12.0mm thick
- Supplied with a stand to conveniently hold the slip gauges
- Can be used horizontally or vertically
- Supplied in a fitted case with a M&W Calibration certificate



### MIC-CHECK M10 SET AND STAND

Code No	Description
MW715-01	10 Piece Mic-Check Gauge Block Set plus Optical Flat

## Cylinder Bore Gauge Setting Master Kit 720 Series

### Features

- Bore Gauge Setting Master Kit for accurately setting any 2 point bore gauge up to 160mm in diameter to an accuracy of 0.01mm
- Setting master and 33 piece metric gauge block set supplied in plastic case

### Setting Device

- Internal range 160mm
- Depth range 25mm
- Centraliser width 70mm
- Quick-release holder for fast adjustment

### Gauge Block Set

- Accuracy to DIN 861, Grade2
- 33 piece metric steel set
- Supplied in a fitted case with a M&W Calibration certificate



### CYLINDER BORE GAUGE SETTING MASTER KIT

Code No	Description
MW720-01	Bore Gauge Setting Master Kit

## Steel Pin Gauge Sets

### Features

- Standard: Factory Standard
- Boxed sets complete with handle
- Each pin is laser engraved with its size above 1.5mm
- Each pin is stored in its own tube, marked with the pin size
- Pin length 50mm
- Supplied with a certificate of conformity
- Fully hardened to 60/62 HRC
- Manufacturing tolerance +/- .002mm



### STEEL PIN GAUGE SETS

Code No	Description	Code No	Description	Code No	Description
MW725-01	Steel Pin Gauge Set 51pce 0.50-1.00x.01mm +/- 0.002mm C/W Handle	MW725-05	Steel Pin Gauge Set 51pce 0.50-1.00x.01mm +/- 0.002mm C/W Handle	MW725-09	Steel Pin Gauge Set 51pce 0.50-1.00x.01mm +/- 0.002mm C/W Handle
MW725-02	Steel Pin Gauge Set 51pce 0.50-1.00x.01mm +/- 0.002mm C/W Handle	MW725-06	Steel Pin Gauge Set 51pce 0.50-1.00x.01mm +/- 0.002mm C/W Handle	MW725-10	Steel Pin Gauge Set 51pce 0.50-1.00x.01mm +/- 0.002mm C/W Handle
MW725-03	Steel Pin Gauge Set 51pce 0.50-1.00x.01mm +/- 0.002mm C/W Handle	MW725-07	Steel Pin Gauge Set 51pce 0.50-1.00x.01mm +/- 0.002mm C/W Handle		
MW725-04	Steel Pin Gauge Set 51pce 0.50-1.00x.01mm +/- 0.002mm C/W Handle	MW725-08	Steel Pin Gauge Set 51pce 0.50-1.00x.01mm +/- 0.002mm C/W Handle		

## Traditional Vee Blocks & Clamps

### Features

230 General Workshop grade

- Manufactured from close grained cast iron
- Supplied in matched and numbered pairs
- One steel clamp and screw supplied per pair



### VEE BLOCKS & CLAMPS

Code No	Accuracy (mm)	Accuracy (inch)	Range (mm)	Range (inch)	Width (mm)	Width (inch)	Length (mm)	Length (inch)	Height (mm)	Height (inch)
230	0.05	0.020	40	1 1/2	40	1 1/2	50	2	40	1 1/2
231	0.01	0.004	25	1	32	1 1/4	42	1 5/8	32	1 1/4

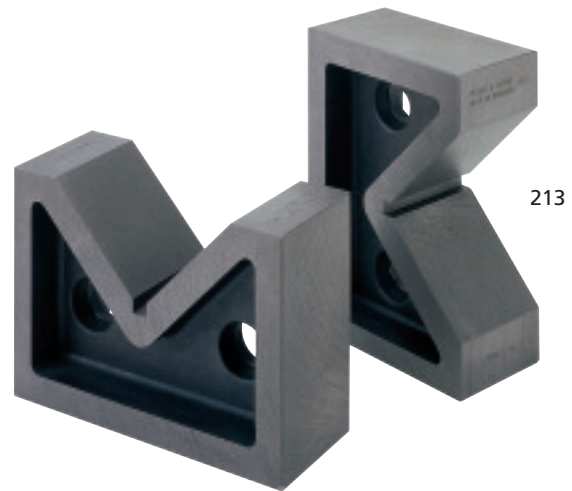
### SPARE CLAMPS

Code No	Description
23001	Spare Clamp and Screw for 230
23101	Spare Clamp and Screw for 231

## Traditional Vee Blocks Standard Pairs

### Features

- Supplied in matched and numbered pairs only
- Manufactured from close grained cast iron
- Ground faces



### VEE BLOCKS STANDARD PAIRS

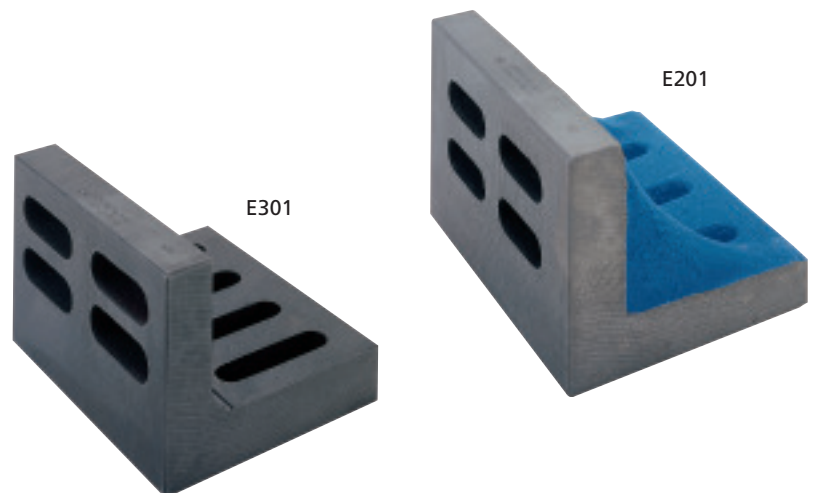
Code No	Accuracy (mm)	Accuracy (inch)	Capacity (mm)	Capacity (inch)	Width (mm)	Width (inch)	Length (mm)	Length (inch)	Height (mm)	Height (inch)
211	0.04	0.0015	63	2.48	80	3.15	35	1.38	60	2.36
212	0.04	0.0015	80	3.15	100	3.94	40	1.57	75	2.95
213	0.05	0.0020	100	3.94	130	5.12	45	1.77	90	3.54
214	0.05	0.0020	125	4.92	150	5.90	50	1.97	100	3.94
215	0.06	0.0025	160	6.30	180	7.09	60	2.36	130	5.12
216	0.06	0.0025	200	7.87	220	8.66	70	2.76	160	6.30

## Traditional Angle Plates

### Features

Complies with: BS5535 Grade B

- Manufactured from close grained cast iron
- Heat stabilised to prevent distortion
- Machined to tolerance on all four edges and two faces (four faces on open end version)



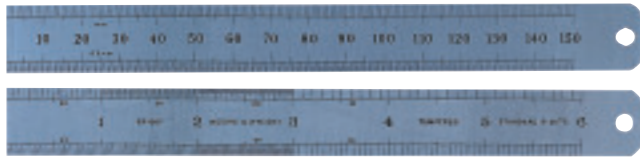
### METRIC / IMPERIAL ANGLE PLATES

Code No.	Description	Length (mm)	Length (inch)	Width (mm)	Width (inch)	Height (mm)	Height (inch)
E200	Webbed	100	3.94	60	2.36	80	3.15
E201	Webbed	131	5.15	86	3.38	106	4.17
E202	Webbed	160	6.30	100	3.94	125	4.92
E204	Webbed	200	7.87	125	4.92	160	6.30
E301	Open End	125	4.92	80	3.15	100	3.94
E302	Open End	160	6.30	100	3.94	125	4.92
E304	Open End	200	7.87	125	4.92	160	6.30

## Traditional Engineers' Rules

### Features

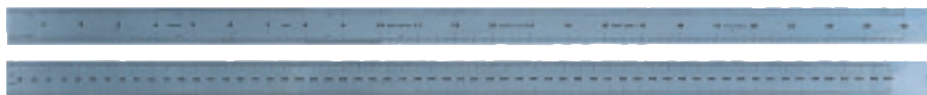
- Made from fine quality steel which has been hardened and tempered to provide the ideal balance between flexibility and durability
- D shaped end with hanging hole
- Satin chrome anti-glare finish
- Permanent black high definition scale markings
- Metric scales front and rear face graduations 0.5mm, 1.0mm
- Metric / Imperial scales front face graduations 1/16th, 1/32nd, 1/64th 1/10th, 1/20th, 1/50th, 1/100th of an inch
- Metric / Imperial scales rear face graduations 0.5mm, 1.0mm



ER106F



ER112



ER424

### METRIC SCALES ONLY: Two Sides, Four Edges

Code No	Length (mm)	Width (mm)	Thickness	Pack Quantity
ER306F	150	19	0.4mm	1
ER312	300	25	1.0mm	1

### METRIC / IMPERIAL SCALES: Two Sides, Four Edges

Code No	Length (mm)	Length (inch)	Width (mm)	Thickness	Pack Quantity
ER106F	150	6	19.0	0.4mm	1
ER206F	150	6	12.5	0.4mm	1
ER112	300	12	25.0	1.0mm	1
ER212	300	12	12.5	1.0mm	1
ER424	600	24	25.0	1.0mm	1

## Telescopic Gauges 315 Series - Sets

### Features

- For quick inside measurement and determination of inside diameters
- Spring loaded plunger that expands in the bore or groove
- Satin-chromed body
- With auto extension and direct locking
- Measuring faces are hardened and micro-lapped

Range 8 - 12.7mm  
 12.7 - 19mm  
 19 - 32mm  
 32 - 54mm  
 54 - 90mm  
 90 - 150mm



### TELESCOPIC GAUGE SETS

Code No	Range (mm)	Pack Quantity
MW315-01	8-150	6-pieces

## Carbide Tipped Scriber

### Features

- Pocket clip
- Pearl-chrome finish
- Robust design



SCT-001XR



SCT-002R

### CARBIDE TIPPED SCRIBER

Code No	Description	Note
SCT-001XR	Retail Pack, replaceable carbide tipped scriber	Supplied with spare scriber
SCT-002R	Retail Pack, fixed carbide tipped scriber	



## Bore Gauging

Bore Gauge - Analogue .....	EXP-MW/EXPS-MW series .....	44
Bore Gauge - Cylinder .....	316 series .....	45
Bore Gauge - Digital Sets .....	316-D series .....	45
Bore Gauge - Digital Sets .....	SXTHSY-MW .....	43
Bore Gauge - Universal Centre Finder with Indicator .....	612 series .....	43

## Calipers

Caliper - Dial .....	140 series .....	7
Caliper - Dial .....	141 series .....	8
Caliper - Dial .....	142 series .....	8
Caliper - Digital .....	110-DDL series .....	11
Caliper - Digital Absolute .....	110-DABS series .....	11
Caliper - Digital Depth .....	170-DB/DH series .....	19
Caliper - Digital Depth Gauge .....	172 series .....	17
Caliper - Digital External Grooves .....	120-DB series .....	14
Caliper - Digital External Grooves .....	120-DC series .....	13
Caliper - Digital Internal Grooves .....	125-DC series .....	13
Caliper - Digital Long Jaw .....	110-DLJ series .....	14
Caliper - Digital Mini Depth Gauge .....	177 series .....	16
Caliper - Digital Pocket .....	110-DPT series .....	9
Caliper - Digital Tyre Profile Gauge .....	176 series .....	16
Caliper - Fine Adjustment Vernier .....	111 series .....	4
Caliper - Heavy Duty Digital Workshop .....	160 series .....	15
Caliper - Large Digital Workshop .....	150-DDL series .....	15
Caliper - Large Workshop Vernier .....	150 series .....	5
Caliper - Long Jaw Vernier .....	155 series .....	6
Caliper - Mechanical Depth Gauge .....	172 series .....	17
Caliper - Plastic Dial .....	CDP series .....	7
Caliper - Polycarbonate Digital .....	110-DPC series .....	9
Caliper - Precision Miniature .....	110 series .....	3
Caliper - Precision Vernier .....	110 series .....	3
Caliper - Precision Vernier .....	115 series .....	4
Caliper - Solid Slider Large Vernier .....	152 series .....	5
Caliper - Three Reading Digital .....	110-DFC series .....	10
Caliper - Vernier Depth Gauge .....	170 series .....	18
Caliper - Water Resistant IP54 .....	110-WR series .....	12
Caliper - Waterproof Digital IP67 .....	110-DIP series .....	12
Caliper - Workshop Digital .....	110-DBL series .....	10
Caliper - Workshop Vernier .....	100 series .....	2
Caliper - Workshop Vernier .....	105 series .....	2
Caliper - Workshop Vernier .....	160 series .....	6
Calipers - External Digital .....	442 series .....	20
Calipers - Internal Digital .....	432 series .....	20

## Engineers' Sets

Engineers' Sets - Digital IP54 .....	200 series .....	57
Engineers' Sets - Digital Workshop .....	200 series .....	57
Engineers' Sets - Micrometer, Dial Caliper and Engineer's Rule .....	200 series .....	56
Engineers' Sets - Micrometer, Vernier Caliper and Engineer's Rule .....	200 series .....	56

## Hand Tools

Hand Tools - Angle Meter .....	946 series .....	65
Hand Tools - Basic Combination Set .....	520 series .....	58
Hand Tools - Carpenters' Square .....	525 series .....	58
Hand Tools - Digital Angle Rule .....	506 series .....	64
Hand Tools - Digital Inside and Outside Calipers .....	516 series .....	68
Hand Tools - Digital Protractor .....	500 series .....	63
Hand Tools - Digital Protractor .....	505 series .....	64
Hand Tools - Drill Gauge .....	1067M .....	69
Hand Tools - Engineers' Rule .....	900 series .....	60

Hand Tools - Feeler Strip.....	126M series.....	71
Hand Tools - Feeler Strip Sets.....	FS20M/FS20E.....	71
Hand Tools - Indicator Bevel Protractor.....	510 series.....	63
Hand Tools - Inside and Outside Calipers.....	33/5.....	67
Hand Tools - Powder Coated Calipers and Dividers.....	500 series.....	68
Hand Tools - Precision Engineers' Square.....	910 series.....	61
Hand Tools - Sliding 'T' Squares.....	DS710 series.....	60
Hand Tools - Surface Gauge.....	E10 series.....	69
Hand Tools - Traditional (Hermaphrodite) Calipers.....	3/5 series.....	66
Hand Tools - Traditional Depth Gauge.....	43M/43 series.....	65
Hand Tools - Traditional Engineers' Square.....	400 series.....	61
Hand Tools - Traditional Feeler Gauge Sets - Precision Range.....	12/1243.....	70
Hand Tools - Traditional Feeler Gauge Sets - Precision Range.....	387M/399M.....	70
Hand Tools - Traditional Feeler Gauge Sets - Safe and Sure Range.....	912/1112.....	70
Hand Tools - Traditional Feeler Gauge Sets - Safe and Sure Range.....	912M/1112M.....	70
Hand Tools - Traditional Precision.....	CSM300.....	59
Hand Tools - Traditional Protractor.....	BPRO series.....	62
Hand Tools - Traditional Radius Gauges.....	206M/204M.....	72
Hand Tools - Traditional Screw Cutting Gauges.....	200.....	72
Hand Tools - Traditional Screw Pitch Gauges.....	800 series.....	73
Hand Tools - Universal Bevel Protractor.....	500 series.....	62
Hand Tools - Wire Gauge - Standard.....	1053M.....	69
Hand Tools - Workshop Combination Set.....	521 series.....	59
<b>Height Gauges</b>		
Height Gauge - Digital.....	190 series.....	22
Height Gauge - Digital.....	193 series.....	23
Height Gauge - Digital Double Column.....	195 series.....	23
Height Gauge - Digital Mini.....	192 series.....	22
Height Gauge - Double Column.....	195 series.....	21
Height Gauge - Vernier.....	190 series.....	21
<b>Indicator Stands</b>		
Indicator Stand - Magnetic Articulating.....	477 series.....	54
Indicator Stand - Magnetic Base Sets.....	475 series.....	55
Indicator Stand - Magnetic Hydraulic.....	485 series.....	53
Indicator Stand - Magnetic Indicator.....	470 series.....	52
Indicator Stand - Magnetic Indicator.....	475 series.....	52
Indicator Stand - Magnetic Snake.....	496 series.....	53
Indicator Stand - Mini Magnetic Base.....	497 series.....	54
<b>Indicators</b>		
Indicator - Dial.....	400 series.....	47
Indicator - Dial.....	401 series.....	48
Indicator - Dial Test.....	420/421/422 series.....	46
Indicator - Dial Test Accessories.....	Z400 series.....	46
Indicator - Digital.....	405 series.....	48
Indicator - Digital.....	410 series.....	49
Indicator - Digital.....	415 series.....	49
Indicator - Digital Absolute.....	430-DABS.....	50
Indicator - Lifting Type Thickness Gauge.....	455 series.....	50
Indicator - Lifting Type Thickness Gauge.....	455-D series.....	51
<b>Levelling</b>		
Levelling - Digital Level.....	580 series.....	76
Levelling - Digital Mini-Mag.....	570 series.....	76
Levelling - Engineers' Level.....	550 series.....	75
Levelling - Mini.....	ELT.....	75
Levelling - Traditional Engineers' Level.....	ELM.....	74
Levelling - Traditional Engineers' Level.....	ELS.....	74

## Micrometers

Micrometer - Analogue Snap .....	290 series .....	30
Micrometer - Ball Attachment .....	878 series .....	25
Micrometer - Basic Stand .....	279 series .....	42
Micrometer - Caliper Type Inside .....	280 series .....	36
Micrometer - Digital Absolute Snap .....	202 series .....	27
Micrometer - Digital Caliper Type Inside .....	280-DDL series .....	36
Micrometer - Digital Depth .....	305-DDL series .....	38
Micrometer - Digital External .....	201-DAB series .....	27
Micrometer - Digital Head .....	312 series .....	41
Micrometer - Digital Large External .....	210-DDL series .....	28
Micrometer - Digital Tube .....	255-DDL series .....	34
Micrometer - External .....	200 series .....	26
Micrometer - Extra Small Head .....	310 series .....	39
Micrometer - Interchangeable Anvils .....	217 series .....	30
Micrometer - Large Adjustable External Digital .....	220-DDL series .....	32
Micrometer - Large Adjustable External Metric .....	220 series .....	32
Micrometer - Large External .....	210 series .....	28
Micrometer - Mechadigit Outside .....	230-MDB series .....	31
Micrometer - Point .....	270 series .....	35
Micrometer - Small Head .....	310 series .....	39-40
Micrometer - Stand .....	279 series .....	42
Micrometer - Standard Head .....	310 series .....	41
Micrometer - Traditional Boxed Sets .....	MEB series .....	29
Micrometer - Traditional Depth Gauge .....	890 series .....	38
Micrometer - Traditional External .....	1961 series .....	24
Micrometer - Traditional External .....	1965 series .....	24
Micrometer - Traditional External .....	1966 series .....	25
Micrometer - Traditional Internal .....	900 series .....	37
Micrometer - Tube .....	255 series .....	34
Micrometer - Tubular Internal .....	300 series .....	37
Micrometer - Workshop Blade .....	275 series .....	31
Micrometer - Workshop Digital .....	200-DBL series .....	27
Micrometer - Workshop Digital Point .....	270-DDL series .....	35
Micrometer - Workshop External .....	215 series .....	29
Micrometer - Workshop Outside .....	200 series .....	26

## Thickness Gauges

Thickness Gauge - Comparator Stand .....	498 series .....	51
--	------------------	----

## Workshop Tools

Workshop Tools - Carbide Gauge Blocks .....	710 series .....	78
Workshop Tools - Carbide Tipped Scriber .....	SCT series .....	83
Workshop Tools - Cylinder Bore Gauge Setting Master Kit .....	720 series .....	79
Workshop Tools - Mic-Check Gauge Block Set .....	715 series .....	79
Workshop Tools - Steel Gauge Blocks .....	700 series .....	77
Workshop Tools - Steel Pin Gauge Sets .....	725 series .....	80
Workshop Tools - Telescopic Gauges .....	315 series .....	83
Workshop Tools - Traditional Angle Plates .....	E series .....	81
Workshop Tools - Traditional Engineers' Rules .....	ER series .....	82
Workshop Tools - Traditional Vee Blocks Standard Pairs .....	200 series .....	81
Workshop Tools - Vee Blocks and Clamps .....	200 series .....	80

## 100 Series

100 series	Caliper - Workshop Vernier	2
105 series	Caliper - Workshop Vernier	2
1053M	Hand Tools - Wire Gauge - Standard	69
1067M	Hand Tools - Drill Gauge	69
110 series	Caliper - Precision Miniature	3
110 series	Caliper - Precision Vernier	3
110-DABS series	Caliper - Digital Absolute	11
110-DBL series	Caliper - Workshop Digital	10
110-DDL series	Caliper - Digital	11
110-DFC series	Caliper - Three Reading Digital	10
110-DIP series	Caliper - Waterproof Digital IP67	12
110-DLJ series	Caliper - Digital Long Jaw	14
110-DPC series	Caliper - Polycarbonate Digital	9
110-DPT series	Caliper - Digital Pocket	9
110-WR series	Caliper - Water Resistant IP54	12
111 series	Caliper - Fine Adjustment Vernier	4
115 series	Caliper - Precision Vernier	4
12/1243	Hand Tools - Traditional Feeler Gauge Sets - Precision Range	70
120-DB series	Caliper - Digital External Grooves	14
120-DC series	Caliper - Digital External Grooves	13
125-DC series	Caliper - Digital Internal Grooves	13
126M series	Hand Tools - Feeler Strip	71
140 series	Caliper - Dial	7
141 series	Caliper - Dial	8
142 series	Caliper - Dial	8
150 series	Caliper - Large Workshop Vernier	5
150-DDL series	Caliper - Large Digital Workshop	15
152 series	Caliper - Solid Slider Large Vernier	5
155 series	Caliper - Long Jaw Vernier	6
160 series	Caliper - Workshop Vernier	6
160 series	Caliper - Heavy Duty Digital Workshop	15
170 series	Caliper - Vernier Depth Gauge	18
170-DB/DH series	Caliper - Digital Depth	19
172 series	Caliper - Mechanical Depth Gauge	17
172 series	Caliper - Digital Depth Gauge	17
176 series	Caliper - Digital Tyre Profile Gauge	16
177 series	Caliper - Digital Mini Depth Gauge	16
190 series	Height Gauge - Vernier	21
190 series	Height Gauge - Digital	22
192 series	Height Gauge - Digital Mini	22
193 series	Height Gauge - Digital	23
195 series	Height Gauge - Double Column	21
195 series	Height Gauge - Digital Double Column	23
1961 series	Micrometer - Traditional External	24
1965 series	Micrometer - Traditional External	24
1966 series	Micrometer - Traditional External	25

## 200 Series

200	Hand Tools - Traditional Screw Cutting Gauges	72
200 series	Micrometer - Workshop Outside	26
200 series	Micrometer - External	26
200 series	Engineers' Sets - Micrometer, Vernier Caliper and Engineer's Rule	56
200 series	Engineers' Sets - Micrometer, Dial Caliper and Engineer's Rule	56
200 series	Engineers' Sets - Digital Workshop	57
200 series	Engineers' Sets - Digital IP54	57
200 series	Workshop Tools - Vee Blocks and Clamps	80
200 series	Workshop Tools - Traditional Vee Blocks Standard Pairs	81
200-DBL series	Micrometer - Workshop Digital	27
201-DAB series	Micrometer - Digital External	27
202 series	Micrometer - Digital Absolute Snap	27
206M/204M	Hand Tools - Traditional Radius Gauges	72
210 series	Micrometer - Large External	28

210-DDL series .....	Micrometer - Digital Large External .....	28
215 series .....	Micrometer - Workshop External.....	29
217 series .....	Micrometer - Interchangeable Anvils .....	30
220 series .....	Micrometer - Large Adjustable External Metric .....	32
220-DDL series .....	Micrometer - Large Adjustable External Digital .....	32
230-MDB series.....	Micrometer - Mechadigit Outside.....	31
255 series .....	Micrometer - Tube .....	34
255-DDL series .....	Micrometer - Digital Tube.....	34
270 series .....	Micrometer - Point.....	35
270-DDL series .....	Micrometer - Workshop Digital Point.....	35
275 series .....	Micrometer - Workshop Blade.....	31
279 series .....	Micrometer - Stand .....	42
279 series .....	Micrometer - Basic Stand.....	42
280 series .....	Micrometer - Caliper Type Inside.....	36
280-DDL series .....	Micrometer - Digital Caliper Type Inside.....	36
290 series .....	Micrometer - Analogue Snap.....	30
 <b>300 Series</b>		
3/5 series .....	Hand Tools - Traditional (Hermaphrodite) Calipers.....	66
300 series .....	Micrometer - Tubular Internal .....	37
305-DDL series .....	Micrometer - Digital Depth.....	38
310 series .....	Micrometer - Extra Small Head .....	39
310 series .....	Micrometer - Small Head.....	39-40
310 series .....	Micrometer - Standard Head .....	41
312 series .....	Micrometer - Digital Head .....	41
315 series .....	Workshop Tools - Telescopic Gauges .....	83
316 series .....	Bore Gauge - Cylinder.....	45
316-D series .....	Bore Gauge - Digital Sets.....	45
33/5 .....	Hand Tools - Inside and Outside Calipers .....	67
387M/399M .....	Hand Tools - Traditional Feeler Gauge Sets - Precision Range.....	70
 <b>400 Series</b>		
400 series .....	Indicator - Dial .....	47
400 series .....	Hand Tools - Traditional Engineers' Square .....	61
401 series .....	Indicator - Dial .....	48
405 series .....	Indicator - Digital .....	48
410 series .....	Indicator - Digital .....	49
415 series .....	Indicator - Digital .....	49
420/421/422 series.....	Indicator - Dial Test .....	46
430-DABS.....	Indicator - Digital Absolute.....	50
432 series .....	Calipers - Internal Digital.....	20
43M/43 series.....	Hand Tools - Traditional Depth Gauge.....	65
442 series .....	Calipers - External Digital .....	20
455 series .....	Indicator - Lifting Type Thickness Gauge .....	50
455-D series .....	Indicator - Lifting Type Thickness Gauge .....	51
470 series .....	Indicator Stand - Magnetic Indicator.....	52
475 series .....	Indicator Stand - Magnetic Indicator.....	52
475 series .....	Indicator Stand - Magnetic Base Sets.....	55
477 series .....	Indicator Stand - Magnetic Articulating .....	54
485 series .....	Indicator Stand - Magnetic Hydraulic.....	53
496 series .....	Indicator Stand - Magnetic Snake .....	53
497 series .....	Indicator Stand - Mini Magnetic Base.....	54
498 series .....	Thickness Gauge - Comparator Stand.....	51
 <b>500 Series</b>		
500 series .....	Hand Tools - Universal Bevel Protractor.....	62
500 series .....	Hand Tools - Digital Protractor .....	63
500 series .....	Hand Tools - Powder Coated Calipers and Dividers .....	68
505 series .....	Hand Tools - Digital Protractor .....	64
506 series .....	Hand Tools - Digital Angle Rule .....	64
510 series .....	Hand Tools - Indicator Bevel Protractor .....	63
516 series .....	Hand Tools - Digital Inside and Outside Calipers.....	68
520 series .....	Hand Tools - Basic Combination Set.....	58

521 series .....	Hand Tools - Workshop Combination Set .....	59
525 series .....	Hand Tools - Carpenters' Square .....	58
550 series .....	Levelling - Engineers' Level .....	75
570 series .....	Levelling - Digital Mini-Mag .....	76
580 series .....	Levelling - Digital Level .....	76
<b>600 Series</b>		
612 series .....	Bore Gauge - Universal Centre Finder with Indicator .....	43
<b>700 Series</b>		
700 series .....	Workshop Tools - Steel Gauge Blocks .....	77
710 series .....	Workshop Tools - Carbide Gauge Blocks .....	78
715 series .....	Workshop Tools - Mic-Check Gauge Block Set .....	79
720 series .....	Workshop Tools - Cylinder Bore Gauge Setting Master Kit .....	79
725 series .....	Workshop Tools - Steel Pin Gauge Sets .....	80
<b>800 Series</b>		
800 series .....	Hand Tools - Traditional Screw Pitch Gauges .....	73
878 series .....	Micrometer - Ball Attachment .....	25
890 series .....	Micrometer - Traditional Depth Gauge .....	38
<b>900 Series</b>		
900 series .....	Micrometer - Traditional Internal .....	37
900 series .....	Hand Tools - Engineers' Rule .....	60
910 series .....	Hand Tools - Precision Engineers' Square .....	61
912/1112 .....	Hand Tools - Traditional Feeler Gauge Sets - Safe and Sure Range .....	70
912M/1112M .....	Hand Tools - Traditional Feeler Gauge Sets - Safe and Sure Range .....	70
946 series .....	Hand Tools - Angle Meter .....	65
<b>B</b>		
BPRO series .....	Hand Tools - Traditional Protractor .....	62
<b>C</b>		
CDP series .....	Caliper - Plastic Dial .....	7
CSM300 .....	Hand Tools - Traditional Precision .....	59
<b>D</b>		
DS710 series .....	Hand Tools - Sliding 'T' Squares .....	60
<b>E</b>		
E series .....	Workshop Tools - Traditional Angle Plates .....	81
E10 series .....	Hand Tools - Surface Gauge .....	69
ELM .....	Levelling - Traditional Engineers' Level .....	74
ELS .....	Levelling - Traditional Engineers' Level .....	74
ELT .....	Levelling - Mini .....	75
ER series .....	Workshop Tools - Traditional Engineers' Rules .....	82
EXP-MW/EXPS-MW series .....	Bore Gauge - Analogue .....	44
<b>F</b>		
FS20M/FS20E .....	Hand Tools - Feeler Strip Sets .....	71
<b>M</b>		
MEB series .....	Micrometer - Traditional Boxed Sets .....	29
<b>S</b>		
SCT series .....	Workshop Tools - Carbide Tipped Scriber .....	83
SXTHSY-MW .....	Bore Gauge - Digital Sets .....	43
<b>Z</b>		
Z400 series .....	Indicator - Dial Test Accessories .....	46





**Moore & Wright - Europe and North Africa  
Bowers Group**

Unit 3, Albany Court,  
Albany Park, Camberley,  
Surrey GU16 7QR, UK  
Telephone: +44 (0)1276 469 866  
Fax: +44 (0)1276 401 498  
Email: [sales@moore-and-wright.com](mailto:sales@moore-and-wright.com)  
Website: [www.moore-and-wright.com](http://www.moore-and-wright.com)

**Moore & Wright - Rest of the World  
Bowers Eclipse Equipment (Shanghai) Co., Ltd.**

8th Building, No. 178 Chengjian Rd  
Minhang District, Shanghai 201108  
P.R.China  
Telephone: +86 21 6434 8600  
Fax: +86 21 6434 6488  
Email: [sales@bowers-shanghai.com](mailto:sales@bowers-shanghai.com)  
Website : [www.moore-and-wright.com](http://www.moore-and-wright.com)